

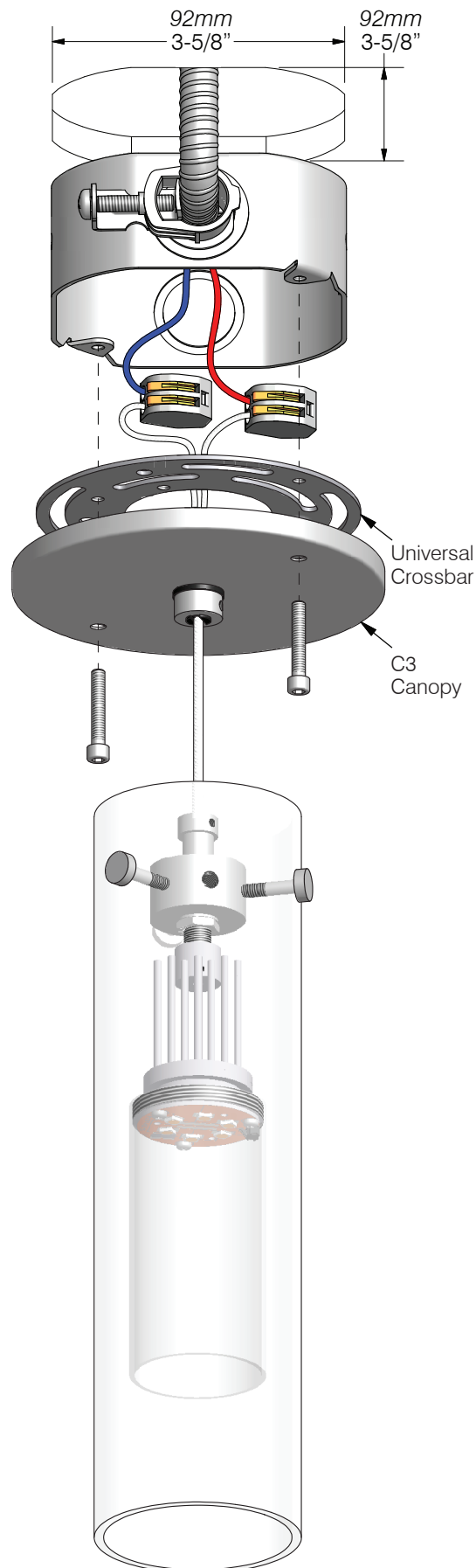
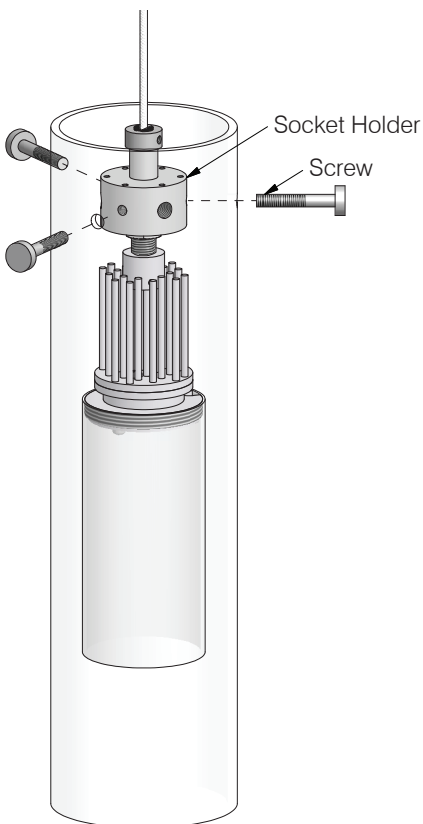
**1** Connect braided coax wire to low voltage wiring (remote LED driver).

**2** Align canopy to electrical box.

**3** Tighten screws with Allen Key to attach C3 Canopy.

### Mount Glass Shade

**1** Install glass shade by lifting it over the socket and cord assembly. Carefully feed each hanger screw through the shade into the corresponding hole in the socket holder. To ensure the pendant hangs plumb, tighten each screw equally. **DO NOT OVER TIGHTEN SCREWS** (this may chip the edges of the glass).



# P81LC3

## Installation Instructions

### **!** CAUTION

- Read all instructions.
- **WARNING: RISK OF FIRE OR ELECTRICAL SHOCK:** Do not make or alter any openings in the compartment of wiring or electrical components during installation. Do not alter or add ballasts, or any other electrical components.
- Installation and use of this fixture mounting assembly requires a person familiar with the construction and operation of luminaire electrical systems and the hazards involved, if not qualified, do not attempt installation.
- Turn off power before installation.
- Do not over tighten screws
- Do not spray water on fixture during cleaning. Avoid using detergents with hand softeners, anti-bacterial agents, glass cleaners or acrylic cleaning products.
- **KEEP THESE INSTALLATION INSTRUCTIONS.**