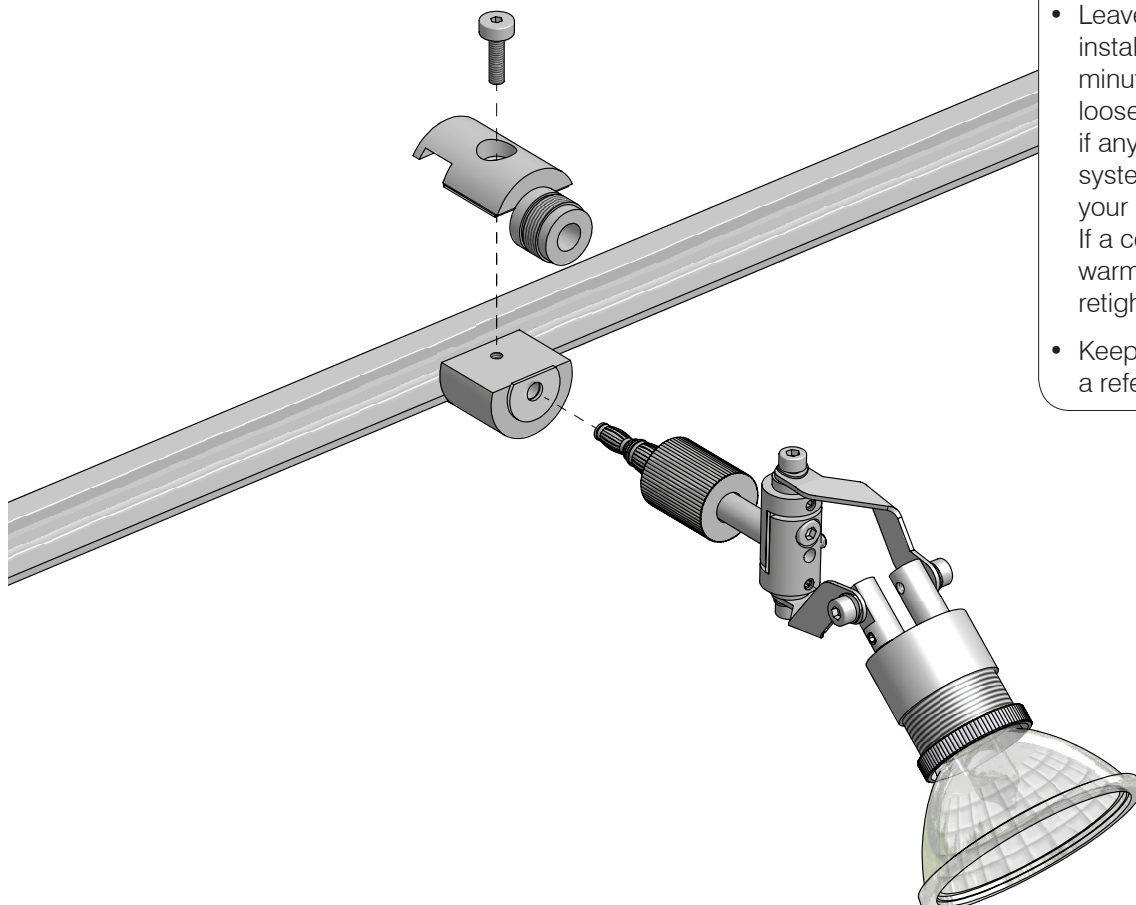


SF Fixture Connector

- 1** Unscrew screw on top of connector then separate connector.
- 2** Place both halves of connector on rail in desired location and retighten screw.
- 3** Once connector is securely fastened push in jack connector on fixture and thread cap until secure.



CAUTION

- Read all instructions.
- Do not move fixture along rail while power is on.
- Ensure cap is tight to prevent short circuit from occurring.
- Leave system on to test installation for 20-30 minutes. Heat indicates a loose connection. Check if any connections on the system are warmer than your body temperature. If a connection is very warm, turn off system and retighten that connection.
- Keep this document as a reference.