

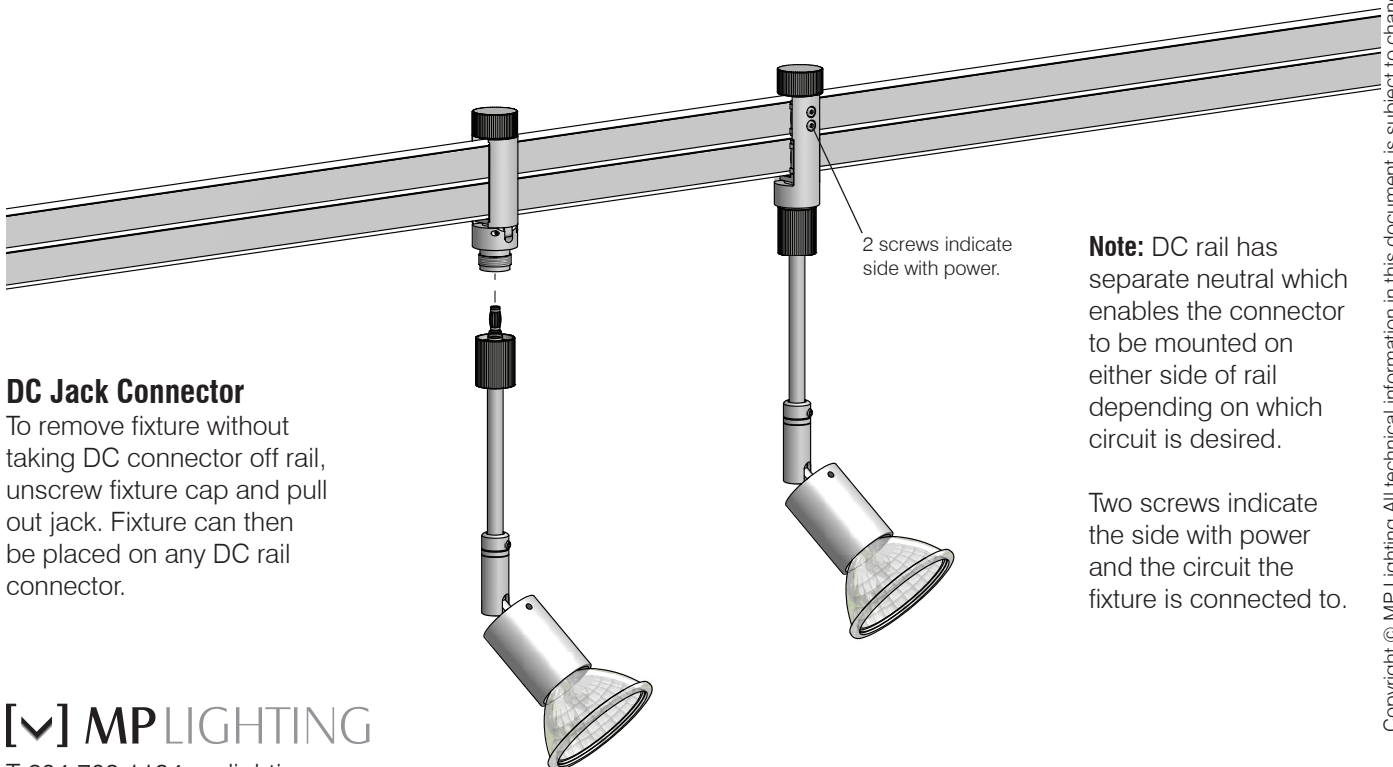
DC Fixture Connector

- 1** Unscrew connector cap and open connector.
- 2** Place connector on rail in desired location.
- 3** Squeeze connector together and tighten cap.



CAUTION

- Read all instructions.
- Do not move fixture along rail while power is on.
- Ensure cap is tight to prevent short circuit from occurring.
- Leave system on to test installation for 20-30 minutes. Heat indicates a loose connection. Check if any connections on the system are warmer than your body temperature. If a connection is very warm, turn off system and retighten that connection.
- Keep this document as a reference.



DC Jack Connector

To remove fixture without taking DC connector off rail, unscrew fixture cap and pull out jack. Fixture can then be placed on any DC rail connector.

2 screws indicate side with power.

Note: DC rail has separate neutral which enables the connector to be mounted on either side of rail depending on which circuit is desired.

Two screws indicate the side with power and the circuit the fixture is connected to.

 **MP LIGHTING**

T 604 708 1184 mplighting.com