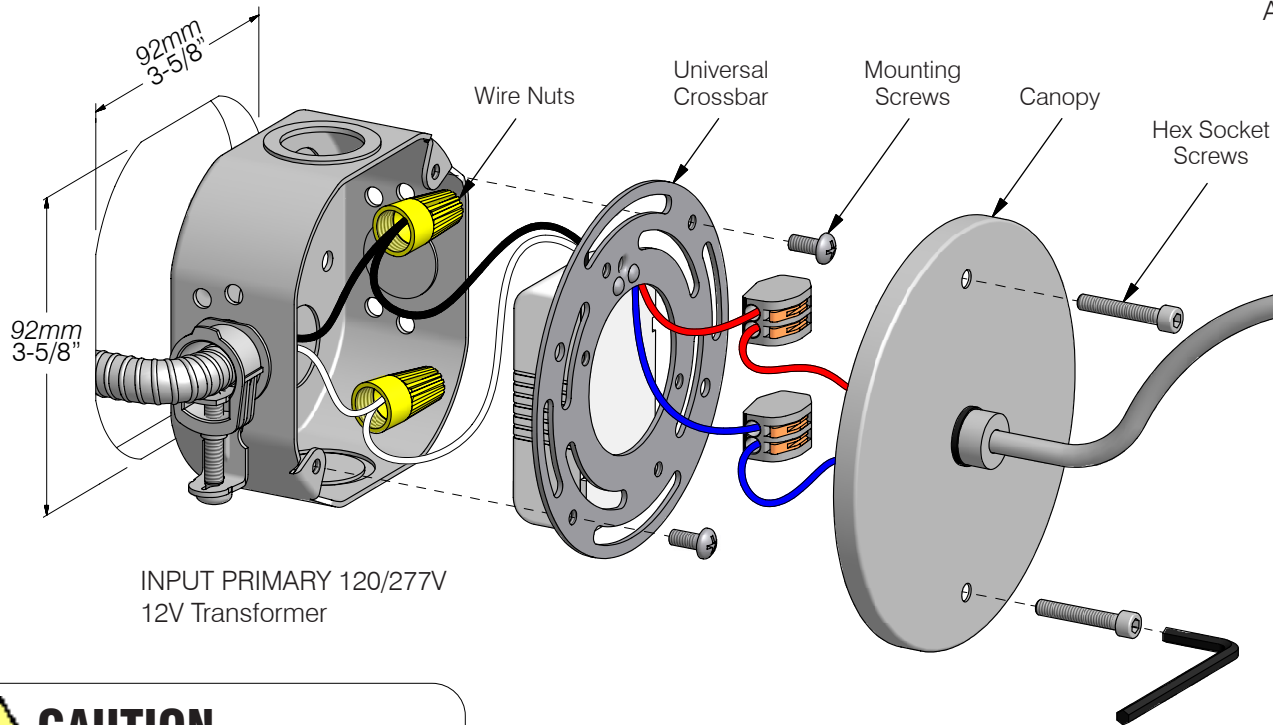


**1** Connect fixture leads to 60W minimum 12V transformer. Next, connect primary to driver input wires then fit into electrical box. For remote driver connect fixture wires to low voltage wiring.

**2** Align canopy and crossbar to electrical box fasten with mounting screws.

**3** Tighten hex socket head screws with Allen Key.



**⚠ CAUTION**

- Read all instructions.
- Risk of fire and electrical shock. Turn off power before installation.
- Do not over tighten screws.
- Connect to 12V electronic transformer.
- Use only low voltage electronic dimmers.
- Test installation by leaving fixture on for 20-30 minutes to ensure proper operation.
- Keep this document as a reference.

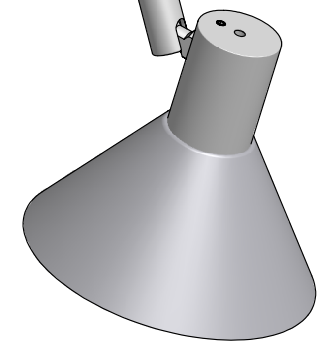
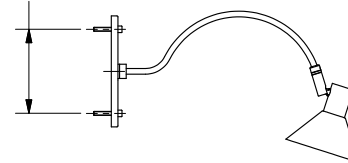
**Parts**

- |   |   |
|---|---|
| • X45W3 unit  | 1 |
| • Hex socket head screws                            | 2 |
| • Mounting screws                                   | 2 |
| • Universal crossbar w/ 12V electronic transformer. | 1 |

**Tools**

- |                        |                     |
|------------------------|---------------------|
| • Phillips screwdriver | <i>not included</i> |
| • Allen key            | <i>included</i>     |

89 mm  
3-1/2"



**X45W3**  
Installation  
Instructions