



# L101A

**Application** Interior linear cove, wall slot, shelf and cabinet illumination.

**IP Rating** 50

**Mounting** Surface mount. Includes aluminum mounting channel with wiring compartment. Comes with 3' (914mm) wire lead.

**Electrical** (4W/Ft or 6W/Ft).

DC - Powered by remote constant voltage driver. Recommended TLDAV100W24. Dimmable with dimming controller (TLC010i), 0-10V. Consult factory.

**Dimmable options:**

Lutron model: output 25-96W 24VDC, compatible with LutronEcosystem/3-wire dimmer, dim to 0.1% with Lutron NTF-10 dimmer (recommend to load up to 80W)

SC Power model: output 5-96W 24VDC, compatible with forward phase dimmers, dim to 1% with Lutron Skylark incandescent dimmer, 4-6% with Lutron MLV dimmers (recommend to load up to 60W due to low PF and efficiency.)

*\*See website for recommended drivers*

*\*Remote emergency driver / inverter options available. Consult factory.*

**Power** S3 = 6W/ft (at 230 mA at 4.0 Watt)

**Consumption** S2 = 8W/ft (at 350 mA at 6.0 Watt)

**Light Output** 4.0 Watt, 788~1048 lm

6.0 Watt, 1168~1556 lm

*\*For photometric data, see page 02*

**Warranty** 5 years limited warranty

Estimated useful life of LED is 50,000 hours.

**Material** Aluminum and polycarbonate. RoHS compliant.

**Weight** 0.56lbs (0.25kg)/foot

**Approval**



**Type:**

**Project:**

**Modified:**

**Quantity:**

**Notes:**

**DISCLAIMER** - When using a control system, consult dimming system manufacturer with minimum load before installing 12V AC transformer. Malfunction and damage to product due to improper dimming system installation or misuse will not be covered under warranty. Only DC Drivers are recommended for dimming systems. Consult MP Lighting for recommended drivers.

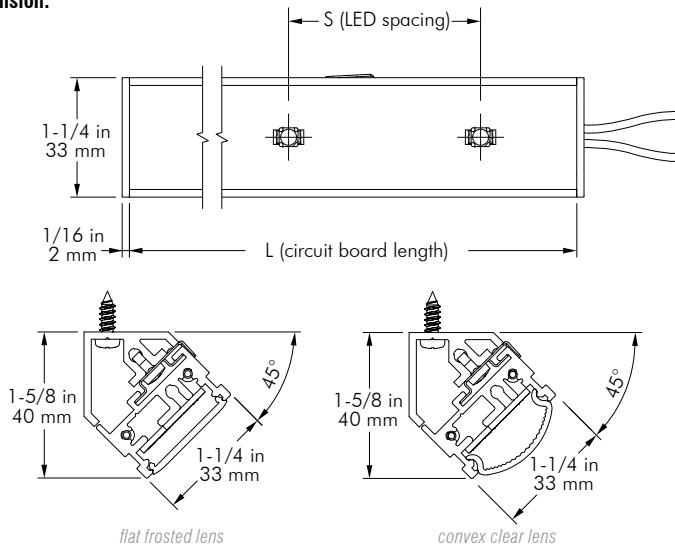
\*MP Lighting reserves the right, at its sole discretion, at any time and without notice, to make design changes to any of our products.

**Order Guide**

Example: L101-A-X-S2-W22S-W-F-D-MA

Code	Code	Length	Spacing **	Color	Beam	Lens	Input Voltage	Finish
<b>L101</b>	-				<b>W</b>		<b>D</b>	-
<b>A</b> = angle	<b>X</b> = custom*	<b>S2</b> = 2" (52mm)	<b>W22S</b> = 2200K, 80+CRI	<b>W</b> = wide flood	<b>F</b> = flat frosted	<b>D</b> = DC	<b>MA</b> = matte clear anodized	
<b>N</b> = no angle	* Note: 6" (152.4mm) increments. Up to 8' (2438mm) max.	<b>S3</b> = 3" (76mm) **between LEDs	<b>W27S</b> = 2700K, 80+CRI <b>W30S</b> = 3000K, 80+CRI <b>W35S</b> = 3500K, 80+CRI <b>W41S</b> = 4100K, 80+CRI <b>W27H</b> = 2700K, 90+CRI <b>W30H</b> = 3000K, 90+CRI <b>W35H</b> = 3500K, 90+CRI	(120°)	<b>C</b> = convex clear	*increments of 6" (152mm)	<b>BA</b> = black anodized <b>BZ</b> = bronze anodized	
	** Note: S2 = 12' (3658mm) max. per 100W24V driver S3 = 18' (5486mm) max. per 100W24V driver							

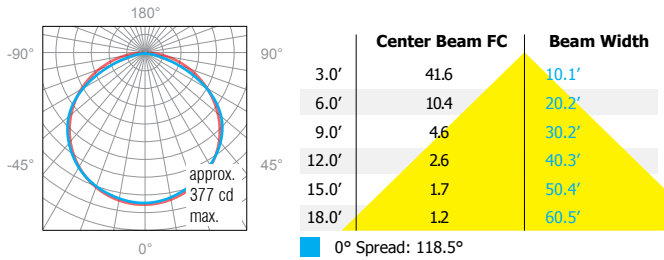
**Dimension:**



**PHOTOMETRIC DATA:**

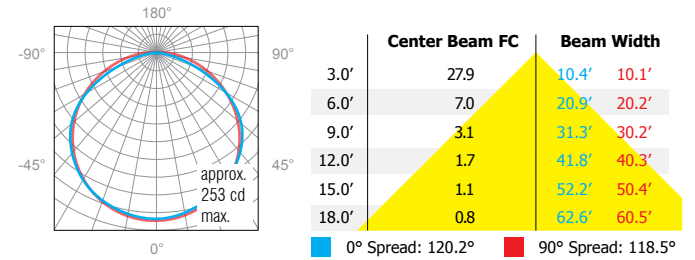
**4' Length, S2 spacing, 120°, 3000K**

**Lumen:** 1168lm, Flat Frosted Lens

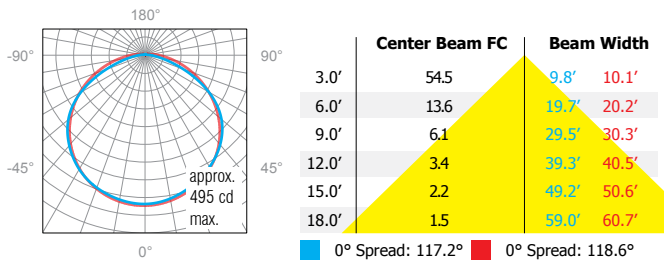


**4' Length, S3 spacing, 120°, 3000K**

**Lumen:** 788lm, Flat Frosted Lens



**Lumen:** 1168lm, Convex Clear Lens



**Lumen:** 1027lm, Convex Clear Lens

