



L110

Application Interior/Exterior stairs tread or under benches.
IP Rating 64
Mounting Mounts directly to surface or recessed mount attached with screw clips. Comes with 3' (914mm) wire lead. Wire covers optional. Mounting Kit MK110 (included).

Electrical 2W/ft
 DC (not included) - Powered by remote constant voltage driver. Recommended TLDV100W24. Dimmable with dimming controller (TLC010i), 0-10V. Consult factory.

Dimmable options:

Lutron model: output 25-96W 24VDC, compatible with LutronEcosystem/3-wire dimmer, dim to 0.1% with Lutron NTF-10 dimmer (recommend to load up to 80W)

SC Power model: output 5-96W 24VDC, compatible with forward phase dimmers, dim to 1% with Lutron Skylark incandescent dimmer, 4-6% with Lutron MLV dimmers (recommend to load up to 60W due to low PF and efficiency.)

**See website for recommended drivers*

**Remote emergency driver / inverter options available. Consult factory.*

Power Consumption 2W/ft = 2.5W (at 84mA at 2.0 watt)

Light Output 2.0 Watt, 90lm
**For photometric data, see page 02*

Warranty 5 years limited warranty
 Estimated useful life of LED is 50,000 hours.

Material Anodized aluminum and polycarbonate. RoHS compliant.

Weight 0.56lbs (0.25kg)/foot.

Approval

Type:

Project:

Modified:

Quantity:

Notes:

DISCLAIMER - When using a control system, consult dimming system manufacturer with minimum load before installing. Malfunction and damage to product due to improper dimming system installation or misuse will not be covered under warranty. Only DC Drivers are recommended for dimming systems. Consult MP Lighting for recommended drivers.

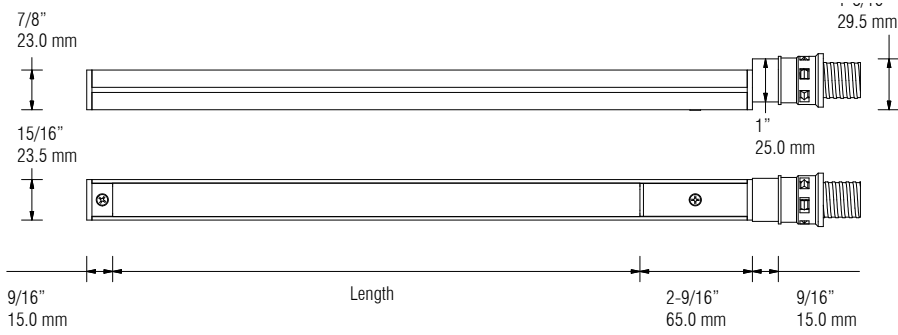
*MP Lighting reserves the right, at its sole discretion, at any time and without notice, to make design changes to any of our products.

Order Guide

Example: L110N-A-X-W22S-W-F-MA

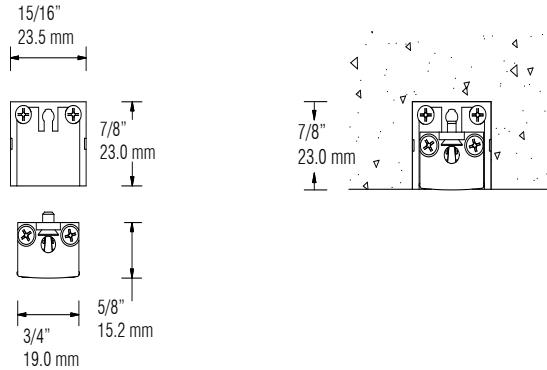
Code	Wattage	Length	Color	Beam	Lens	Mounting Option	Finish
L110N -	A			W	F	-	
	A = 2W/ft	X = custom <i>* custom length 1' long (305mm) min 6" (152.4mm) increments 8' (2438mm) max</i>	W22S = 2200K, 80+CRI W27H = 2700K, 90+CRI W30H = 3000K, 90+CRI W35H = 3500K, 90+CRI W41H = 4100K, 90+CRI	W = wide flood (120°)	F = flat frosted P = prismatic	A = wire cover on one end B = no wire covers C = wire cover on both ends	MA = matte clear anodized
						<i>* Option C is not available with 8ft (2438mm).</i> <i>*please refer to installation sheet for options detail</i>	

DIMENSION:



LED Linear Light Module

Outer Concrete Mount Channel



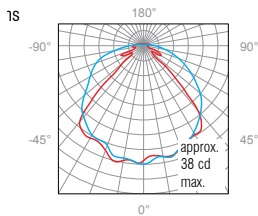
PHOTOMETRIC DATA:

1' Length, 2W per 1', 3000K, 120°

Polar Candela Distribution

Illuminance at a Distance

Lumen: 90lm, Flat Frosted Lens



	Center Beam FC	Beam Width	
1.0'	40.6	9.8' (2.99m)	5.8' (1.77m)
2.0'	1.02	19.6' (5.79m)	11.6' (3.54m)
3.0'	0.45	29.3' (8.93m)	17.4' (5.30m)
4.0'	0.25	39.1' (11.92m)	23.3' (7.10m)
5.0'	0.16	48.9' (14.90m)	29.1' (8.87m)
6.0'	0.11	58.7' (17.89m)	34.9' (10.64m)

0° Spread: 117.0° 90° Spread: 88.2°