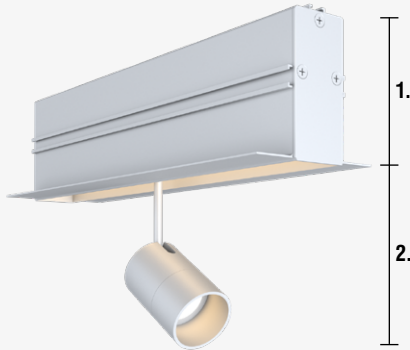


COMPONENTS:

- 1. Linear: L115
- 2. Spotlights: L225



Shown with L116 with a L225M mounted

Type:

Project:

Modified:

Quantity:

Note

L116

Application Interior recessed mount with spot light
Recommended Projects - Commercial, Residential, Institutional, Retail, Hospitality, Religious, Educational, Architecture

IP Rating 50

Mounting Recessed in ceiling or wall.

Electrical L115: 6W/Ft or 10W/Ft
DC (not included) - Powered by remote 120V, constant voltage driver.

L225S : 1.0 Watt / 2.5 Watt (Track head)

L225M : 4.0 Watt / 8.0 Watt (Track head)

Power Consumption L225S : 1.5 Watt / 3 Watt (Track head)

L225M : 5.0 Watt / 10.0 Watt (Track head)

Light Output

L225S	L225M
1.0 Watt, 65~75lm	4.0 Watt, 224~261lm
2.5 Watt, 129~149lm	8.0 Watt, 372~433lm

Warranty 5 years limited warranty
Estimated useful life of LED is 50,000 hours.

Material Anodized aluminum and polycarbonate lens. RoHS compliant.

Weight -

Approval 

DISCLAIMER Malfunction and damage to product due to improper dimming system installation or misuse will not be covered under warranty. Only DC Drivers are recommended for dimming systems. Consult MP Lighting for recommended drivers.

*MP Lighting reserves the right, at its sole discretion, at any time and without notice, to make design changes to any of our products.

Order Guide

**** Fixture comprises of two components: Linear and Spotlights that need to be specified separately.**

COMPONENT 1: Linear

Example: L115-A-4-W30S-N-F-MA

Code	Wattage	Length	Color	Beam	Lens	Optional	Finish
L115	-						-
	A = 6W/ft B = 10W/ft	X = custom 4 = 4' 6 = 6' 8 = 8'	W22H = 2200K, 90+CRI W27H = 2700K, 90+CRI W30H = 3000K, 90+CRI W35H = 3500K, 90+CRI	N = narrow (30°) F = flood (60°) W = wide (120°)	F = flat frosted P = Prismatic	LLB = linear louver, black anodized	MA = matte clear anodized BA = black anodized
please refer to L225 order guide on page 2.		* custom length min = 4' long (1.2m). increments = 6" (152.4mm). max = 8' (2.4mm)					
*For details regarding further information/ assembly, please consult with factory.							

COMPONENT 2: Spotlights

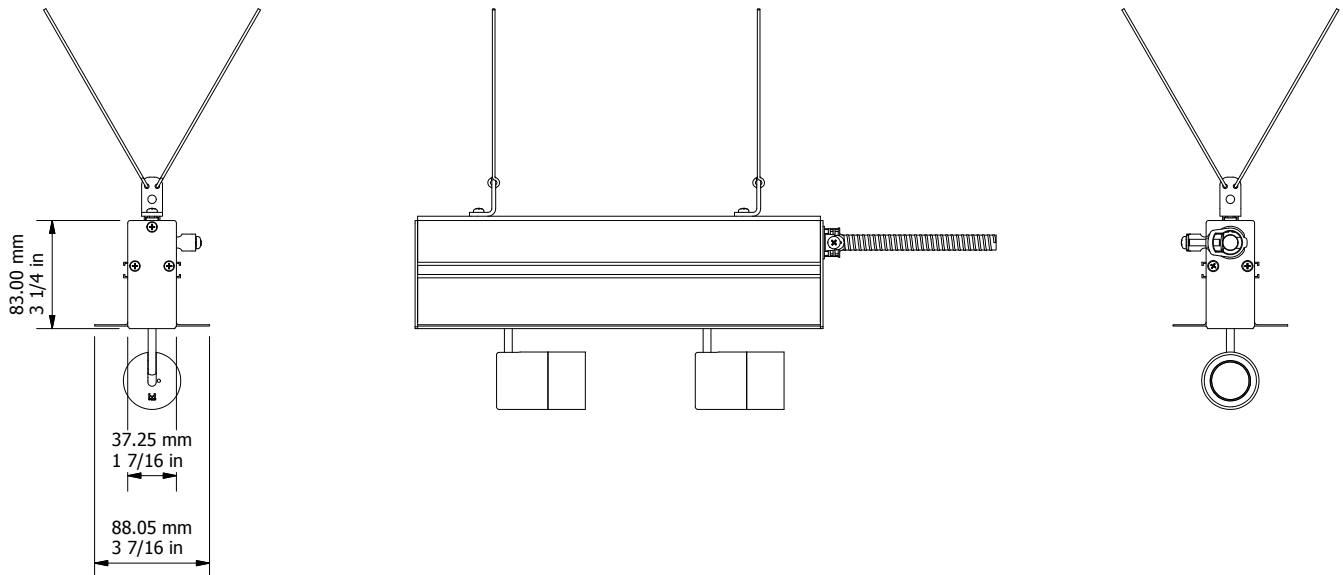
**** Quantity of spotlights and spacing between spotlights are also required to be specified.
Spotlights should be at least 1' apart from each other, and 6" away from ends of a rail.**

Example: L225-S-2-W22S-S-FS-MA

Code	Size	Wattage	Color	Beam	Accessories	Accessory Finish	Stem	Finish
L225	S				CS			
	S = small	1 = 1.0W 2 = 2.5W	W22S = 2200K, 80+CRI W27S = 2700K, 80+CRI W30S = 3000K, 80+CRI W35S = 3500K, 80+CRI W41S = 4100K, 80+CRI W20H = 2000K, 90+CRI W30H = 3000K, 90+CRI W35H = 3500K, 90+CRI	S = spot (12°) N = narrow flood (30°)	CS = cylinder shroud	MA = matte clear anodized BA = black anodized	2 = 2" (51mm) X = custom <i>* Available in 1" (25mm) increments up to 8ft (2.4m) max.</i>	MA = matte clear anodized BA = black anodized

Code	Size	Wattage	Color	Beam	Accessories	Accessory Finish	Stem	Finish
L225	M				CS			
	M = medium	4 = 4W 8 = 8W	W27H = 2700K, 90+CRI W30H = 3000K, 90+CRI	S = spot (19°) N = narrow flood (27°) F = flood (48°)	CS = cylinder shroud	MA = matte clear anodized BA = black anodized	2 = 2" (51mm) X = custom <i>* Available in 1" (25mm) increments up to 8ft (2.4m) max.</i>	MA = matte clear anodized BA = black anodized

DIMENSION:

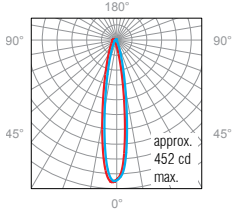


PHOTOMETRIC DATA: L225S

1W, 3000K 80+CRI, 12°

Polar Candela Distribution

Lumen: 65lm



Illuminance at a Distance

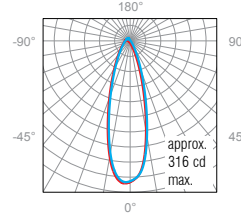
	Center Beam FC	Beam Width	
3.0'	50.3	1.0' (0.30m)	1.0' (0.30m)
6.0'	12.6	2.1' (0.64m)	2.1' (0.64m)
9.0'	5.5	3.1' (0.94m)	3.1' (0.94m)
12.0'	3.1	4.1' (1.25m)	4.1' (1.25m)
15.0'	2.0	5.1' (1.55m)	5.1' (1.55m)
18.0'	1.4	6.2' (1.89m)	6.2' (1.89m)

0° Spread: 19.4° 90° Spread: 19.4°

1W, 3000K 80+CRI, 30°

Polar Candela Distribution

Lumen: 75 lm



Illuminance at a Distance

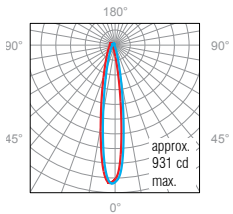
	Center Beam FC	Beam Width	
3.0'	35	1.5' (0.46m)	1.5' (0.46m)
6.0'	8.7	3.1' (0.94m)	3.1' (0.94m)
9.0'	3.9	4.6' (1.40m)	4.6' (1.40m)
12'	2.1	6.1' (1.86m)	6.1' (1.86m)
15'	1.4	7.6' (2.32m)	7.7' (2.34m)
18'	0.9	9.2' (2.80m)	9.2' (2.80m)

0° Spread: 28.5° 90° Spread: 28.7°

2.5W, 3000K 80+CRI, 12°

Polar Candela Distribution

Lumen: 129lm



Illuminance at a Distance

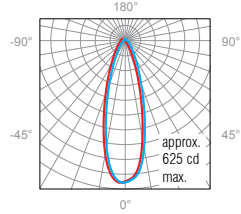
	Center Beam FC	Beam Width	
3.0'	103	1.0' (0.30m)	1.0' (0.30m)
6.0'	25.9	2.0' (0.60m)	2.0' (0.60m)
9.0'	11.5	3.0' (0.91m)	3.0' (0.91m)
12'	6.47	4.0' (1.22m)	4.0' (1.22m)
15'	4.14	5.0' (1.52m)	5.0' (1.52m)
18'	2.87	6.0' (1.83m)	6.0' (1.83m)

0° Spread: 19.0° 90° Spread: 19.0°

2.5W, 3000K 80+CRI, 30°

Polar Candela Distribution

Lumen: 149 lm



Illuminance at a Distance

	Center Beam FC	Beam Width	
3.0'	69.5	1.5' (0.46m)	1.5' (0.46m)
6.0'	17.4	3.0' (0.91m)	3.0' (0.91m)
9.0'	7.73	4.5' (1.37m)	4.5' (1.37m)
12'	4.35	6.0' (1.83m)	6.0' (1.83m)
15'	2.78	7.6' (2.32m)	7.6' (2.32m)
18'	1.93	9.1' (2.77m)	9.1' (2.77m)

0° Spread: 28.3° 90° Spread: 28.3°

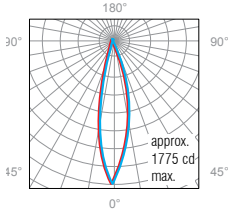
PHOTOMETRIC DATA: L225M

4W, 2700K 90+CRI, 19°

Polar Candela Distribution

Illuminance at a Distance

Lumen: 261 lm



	Center Beam FC	Beam Width	
3.0'	197	1.0' (0.30m)	1.0' (0.30m)
6.0'	49.3	2.1' (0.64m)	2.1' (0.64m)
9.0'	21.9	3.1' (0.94m)	3.1' (0.94m)
12'	12.3	4.1' (1.25m)	4.1' (1.25m)
15'	7.89	5.2' (1.58m)	5.2' (1.58m)
18'	5.48	6.2' (1.89m)	6.2' (1.89m)

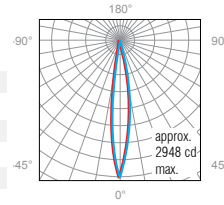
0° Spread: 19.5° 90° Spread: 19.5°

8W, 2700K 90+CRI, 19°

Polar Candela Distribution

Illuminance at a Distance

Lumen: 433 lm



	Center Beam FC	Beam Width	
3.0'	328	1.0' (0.30m)	1.0' (0.30m)
6.0'	81.9	2.1' (0.64m)	2.1' (0.64m)
9.0'	36.4	3.1' (0.94m)	3.1' (0.94m)
12'	20.5	4.1' (1.25m)	4.1' (1.25m)
15'	13.1	5.2' (1.58m)	5.2' (1.58m)
18'	9.10	6.2' (1.89m)	6.2' (1.89m)

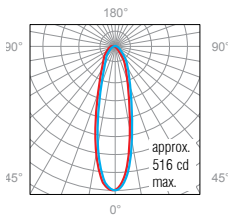
0° Spread: 19.5° 90° Spread: 19.5°

4W, 2700K 90+CRI, 27°

Polar Candela Distribution

Illuminance at a Distance

Lumen: 251 lm



	Center Beam FC	Beam Width	
3.0'	57.4	1.4' (0.43m)	1.4' (0.43m)
6.0'	14.3	2.9' (0.88m)	2.9' (0.88m)
9.0'	6.38	4.3' (1.31m)	4.3' (1.31m)
12'	3.59	5.7' (1.74m)	5.7' (1.74m)
15'	2.30	7.2' (2.19m)	7.2' (2.19m)
18'	1.59	8.6' (2.62m)	8.6' (2.62m)

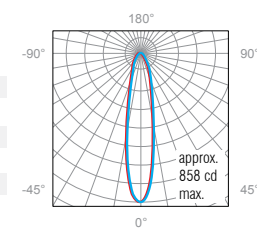
0° Spread: 26.9° 90° Spread: 26.9°

8W, 2700K 90+CRI, 27°

Polar Candela Distribution

Illuminance at a Distance

Lumen: 418 lm



	Center Beam FC	Beam Width	
3.0'	95.3	1.4' (0.43m)	1.4' (0.43m)
6.0'	23.8	2.9' (0.88m)	2.9' (0.88m)
9.0'	10.6	4.3' (1.31m)	4.3' (1.31m)
12'	5.95	5.7' (1.74m)	5.7' (1.74m)
15'	3.81	7.2' (2.19m)	7.2' (2.19m)
18'	2.65	8.6' (2.62m)	8.6' (2.62m)

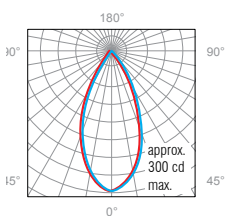
0° Spread: 26.9° 90° Spread: 26.9° 11-2017

4W, 2700K 90+CRI, 48°

Polar Candela Distribution

Illuminance at a Distance

Lumen: 224 lm



	Center Beam FC	Beam Width	
3.0'	33.4	2.6' (0.79m)	2.6' (0.79m)
6.0'	8.34	5.3' (1.62m)	5.3' (1.62m)
9.0'	3.71	7.9' (2.41m)	7.9' (2.41m)
12'	2.09	10.6' (3.23m)	10.6' (3.23m)
15'	1.33	13.2' (4.02m)	13.2' (4.02m)
18'	0.93	15.9' (4.85m)	15.9' (4.85m)

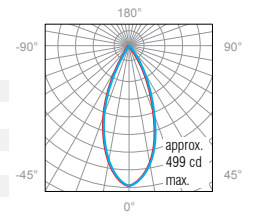
0° Spread: 47.6° 90° Spread: 47.6°

8W, 2700K 90+CRI, 48°

Polar Candela Distribution

Illuminance at a Distance

Lumen: 372 lm



	Center Beam FC	Beam Width	
3.0'	55.4	2.6' (0.79m)	2.6' (0.79m)
6.0'	13.9	5.3' (1.62m)	5.3' (1.62m)
9.0'	6.16	7.9' (2.41m)	7.9' (2.41m)
12'	3.46	10.6' (3.23m)	10.6' (3.23m)
15'	2.22	13.2' (4.02m)	13.2' (4.02m)
18'	1.54	15.9' (4.85m)	15.9' (4.85m)

0° Spread: 47.6° 90° Spread: 47.6°