



L337

Application Exterior/Interior directional in-grade light for lighting walls, columns, architectural features or landscape features. Applicable for mounting into floors, walls, ceilings or other surfaces where a non-obtrusive luminaire is required. Turtle friendly lighting option.

Recommended Projects - Commercial, Residential, Institutional, Retail, Clinic, Hospitality, Religious, Educational & Architecture

IP Rating 66

Mounting Recessed mount to ceiling, walls or floors.

Electrical 3.2V, 20mA LED

**See website for recommended drivers*

**Remote emergency driver / inverter options available. Consult factory.*

Power 0.2 Watt

Consumption

Light Output 0.2 Watt, 2.7lm

**For photometric data, see page 02*

Warranty 5 years limited warranty

Estimated useful life of LED is 50,000 hours.

Material Solid anodized aluminum or marine grade stainless steel 316, RoHS compliant.

Hole Cutout size 3/4" (25.4mm)

Weight -

Approval



Type:

Project:

Modified:

Quantity:

Notes:

DISCLAIMER - When using a control system, consult dimming system manufacturer with minimum load before installing 12V AC transformer. Malfunction and damage to product due to improper dimming system installation or misuse will not be covered under warranty. Only DC Drivers are recommended for dimming systems. Consult MP Lighting for recommended drivers.

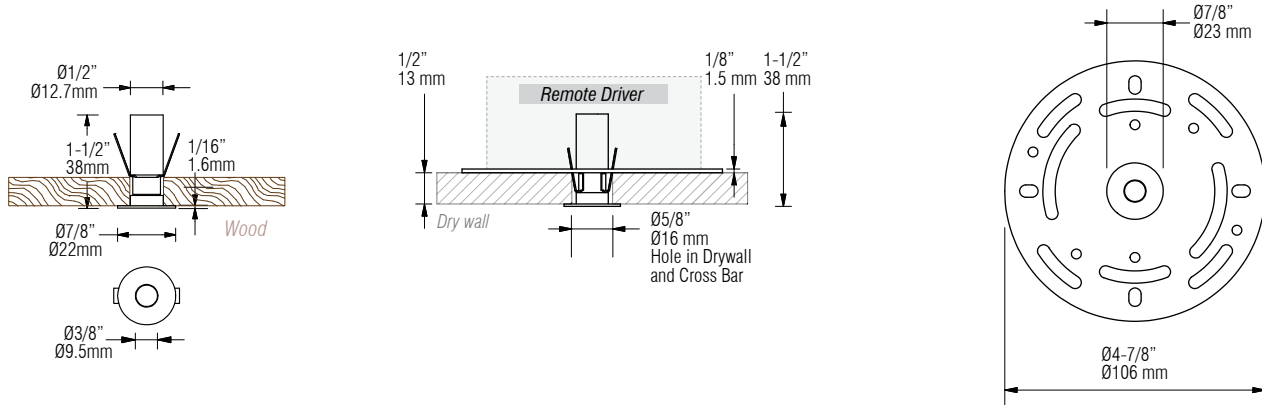
*MP Lighting reserves the right, at its sole discretion, at any time and without notice, to make design changes to any of our products.

Order Guide

Example: L337-W27H-C-D-MA

Code	Color	Lens	Input voltage	Finish
L337	-		D	-
W22S	= 2200K, 80+ CRI	C = clear	D = DC	MA = matte clear anodized
W27H	= 2700K, 90+ CRI	F = frosted		BA = black anodized
W30H	= 3000K, 90+ CRI			BZ = bronze anodized
W35H	= 3500K, 90+ CRI			S6 = stainless steel 316
W41H	= 4100K, 90+ CRI			

DIMENSION:



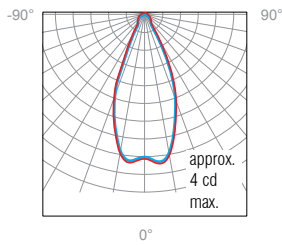
PHOTOMETRIC DATA:

0.2W, 2700K, 90 + CRI

Polar Candela Distribution

Illuminance at a Distance

Lumen: 2.7lm



	Center Beam FC	Beam Width	
1.5'	1.69	1.2' (0.37m)	1.3' (0.40m)
3.0'	0.42	2.5' (0.76m)	2.5' (0.76m)
4.5'	0.19	3.7' (1.28m)	3.8' (1.16m)
6.0'	0.11	4.9' (1.49m)	5.0' (1.52m)
7.5'	0.07	6.2' (1.89m)	6.3' (1.92m)
9.0'	0.05	7.4' (2.26m)	7.5' (2.29m)

■ 0° Spread: 44.6° ■ 90° Spread: 45.3°