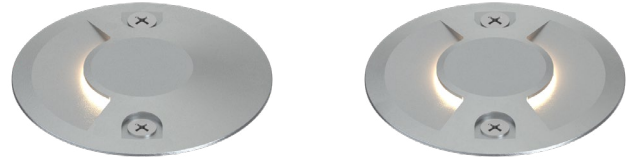


L348

EXTERIOR | INTERIOR

In-grade | For ground, ceilings, walls, and stairs

• Wet, Damp, and Dry location



Ordering Information

Clear Form

Date : _____

Project : _____

Type : _____

Quantity : _____

Note : _____

Specifications

Luminaire | Example Code: L348-2-W30H-D-S6

Product	Version	CCT & CRI ¹	Aperture	Trim Finish ²
L348				S6
	1 1W 2 2W	W22S 2200K 80+ W27H 2700K 90+ W30H 3000K 90+ W35H 3500K 90+ W41H 4100K 90+	S single D double	Stainless Steel Finish: S6 stainless steel 316

System Components (Ordered Separately)

Remote Driver : _____

* Consult MP Lighting Website or Factory.

Important Notes

Specification

1. Refer to pg.02 - Electrical for Light Quality & Colour Consistency details.
2. Refer to Appendix or MP Lighting website for complete look of luminaire.

Warranty Notes & Disclaimer

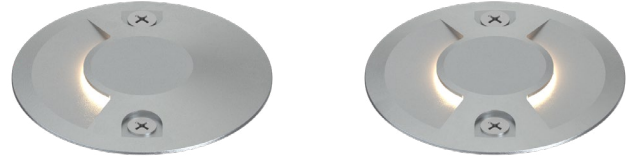
Malfunction and damage to product due to incompatible dimming system or misuse will not be covered under warranty. Consult MP Lighting for recommended drivers. If the fixture has an option to be installed with a dimming control system, consult a dimming system manufacturer with minimum load before installing. MP Lighting reserves the right, at its sole discretion, at any time and without notice, to make design changes to any of our products. Consult MP Lighting website for most updated documentation.

L348

EXTERIOR | INTERIOR

In-grade | For ground, ceilings, walls, and stairs

• Wet, Damp, and Dry location



Performance

Wattage	Forward Current	Power Consumption Budget per fixture (including driver)	LED output (Source)	Fixture Output (Delivered)
1W	350mA	1.3W	110 lm	0.5~1.0 lm
2W	700mA	2.6W	220 lm	2.0~3.4 lm

Application

Environment	Wet / Damp / Dry Location approved. IP 68.
Drive Over Rating	9,700 lbs (4,400 kg)
Mounting	Recessed: Designed to be inserted into the surface and secured with two screws (included).

Electrical

Power Supplies	Remote LED drivers (120-277V AC input, constant current output): Fixtures to be wired in series.
Control	On/off control Dimming: ELV or 0-10V dimming with appropriate drivers Other options (consult factory): TRIAC/MLV, DMX, DALI, Casambi, Power over Ethernet

Luminaire Construction

LED Light Source	W22S = CCT: 2200K, CRI (Ra): 80+, Colour Consistency: 3SDCM W27H = CCT: 2700K, CRI (Ra): 90+, Colour Consistency: 2SDCM W30H = CCT: 3000K, CRI (Ra): 90+, Colour Consistency: 2SDCM W35H = CCT: 3500K, CRI (Ra): 90+, Colour Consistency: 3SDCM (Contact factory for 2SCDM option) W41H = CCT: 4100K, CRI (Ra): 90+, Colour Consistency: 3SDCM
Standard Compliance	✓ADA-compliant ✓WELL standard – Feature 58: Color Quality
Weight	N/A
Material	Fixture: machined stainless steel (316)
Supplied with	Standard installation housing: Comes with two pointed end self-tapping #8-32 screws. Cable: 6" (152mm) factory-installed wire lead
Warranty & LED Life	5 years limited warranty Estimated useful life of LED is 50,000 hours.

Ordered Separately

System Components	Power supplies: remote driver Please consult factory or visit Recommended Drivers for available driver options.
-------------------	---

Mounting Options & Dimensions

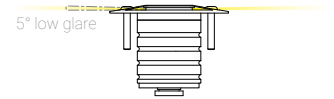
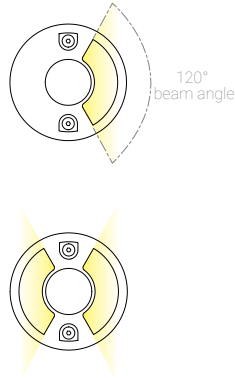
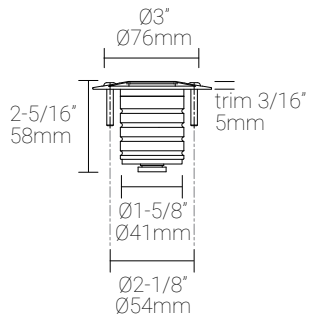
LED Insert Dimensions

Fixture

Top View

3D View (with double aperture)

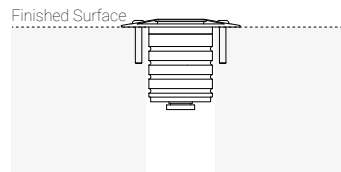
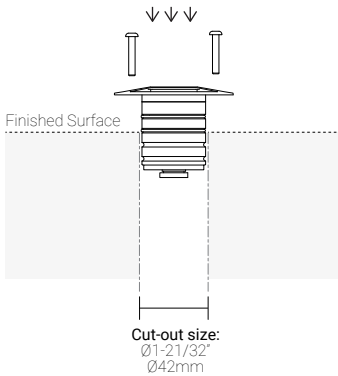
Beam



Installation with screws

Fixture with self-tapping screws:
During Installation

Fixture with self-tapping screws:
Complete Installation



Two pointed end self-tapping
#8-32 screws provided.

Appendix

Stainless Steel Finish



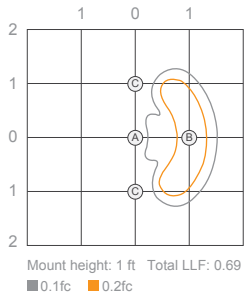
S6 stainless steel 316
S single aperture



S6 stainless steel 316
D double aperture

1W, 3000K, 90+ CRI

Isofootcandle Plot

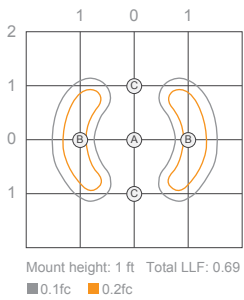


Illuminance at a Distance

Location	Center Beam fc
A	0.1fc
B	0.22fc
C	0.07fc

Delivered Lumen: 0.5lm

Isofootcandle Plot



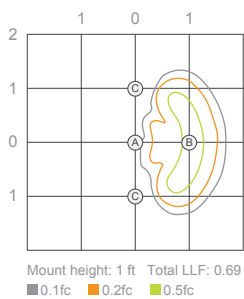
Illuminance at a Distance

Location	Center Beam fc
A	0.13fc
B	0.18fc
C	0.1fc

Delivered Lumen: 1 lm

2W, 3000K, 90+ CRI

Isofootcandle Plot

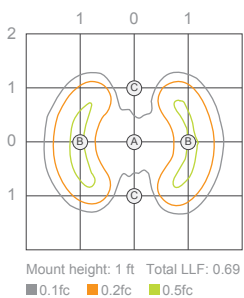


Illuminance at a Distance

Location	Center Beam fc
A	0.13fc
B	0.4fc
C	0.1fc

Delivered Lumen: 2 lm

Isofootcandle Plot



Illuminance at a Distance

Location	Center Beam fc
A	0.21fc
B	0.3fc
C	0.15fc

Delivered Lumen: 3.4 lm