



L372-L300

Application Exterior/Interior directional in-grade luminaire for lighting walls, columns, architectural features or landscape features. Applicable for mounting into floors, walls, ceilings or other surfaces where a non-obtrusive luminaire is required.
 Suitable for drive-over applications and walk-over applications. For wet and dry locations.
 Recommended Projects - Commercial, Institutional, Retail, Health Care, Hospitality, Religious, Educational, Architecture

IP Rating 68
Mounting Comes with splice box, aluminum flange and level gauge. Designed to be cast into concrete or inserted into paving stone. Includes 6" (153mm) wire lead.

Electrical Powered by remote dimmable/ non-dimmable driver (sold separately).
**See website for recommended drivers*
**Remote emergency driver / inverter options available. Consult factory.*

Power Consumption 1.5 Watt (at 350 mA, 1.0 Watt)
 3.0 Watt (at 700 mA, 2.5 Watt)

Light Output 1.0 Watt, 29~33lm
 2.5 Watt, 47~53lm
**For photometric data, see page 04*

Warranty 5 years limited warranty
 Estimated useful life of LED is 50,000 hours.

Material Solid anodized aluminum or stainless steel (316) with tempered glass lens, RoHS compliant.

Weight 1.8lbs (0.816kg) base extra

Approval 

DISCLAIMER Malfunction and damage to product due to improper dimming system installation or misuse will not be covered under warranty. Only DC Drivers are recommended for dimming systems. Consult MP Lighting for recommended drivers.

*MP Lighting reserves the right, at its sole discretion, at any time and without notice, to make design changes to any of our products.

Type:

Project:

Modified:

Quantity:

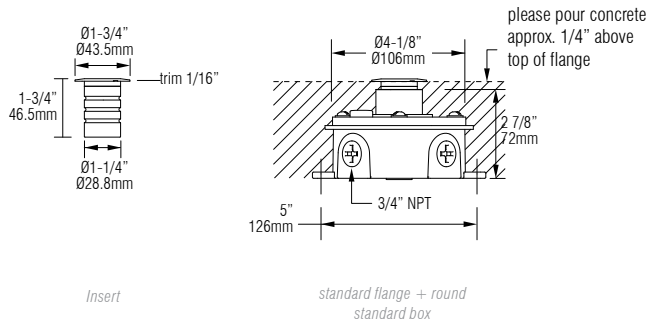
Notes:

Order Guide

Example: L372-L300-1-W27S-N-C-D-S-2-MA

Code	Wattage	Color	beam	Lens	Input Voltage*	Flange Height	Base Height	Finish
L372-L300	1 = 1W 2 = 2.5W	W22S = 2200K, 80+CRI W27S = 2700K, 80+CRI W30S = 3000K, 80+CRI W35S = 3500K, 80+CRI W41S = 4100K, 80+CRI W27H = 2700K, 90+CRI W30H = 3000K, 90+CRI W35H = 3500K, 90+CRI	S = spot (12°) N = narrow flood (30°) W = wide flood (120°)	C = clear F = frosted	D = DC	S = standard flange/box, 2-7/8" (72mm) **please go to page 2 & 3 for more info on custom boxes	0 = no base 2 = 2" (51mm) 6 = 6" (152mm)	MA = matte clear anodized BA = black anodized BZ = bronze anodized S6 = stainless steel 316

DIMENSION:

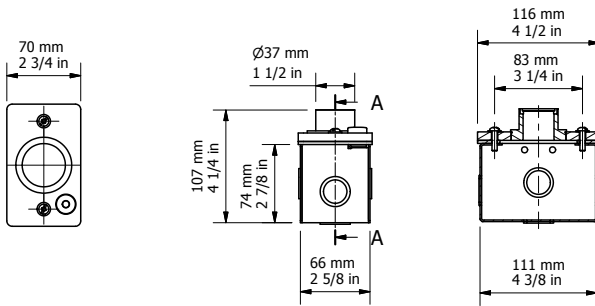


CUSTOM RECTANGULAR BOXES ORDER GUIDE:

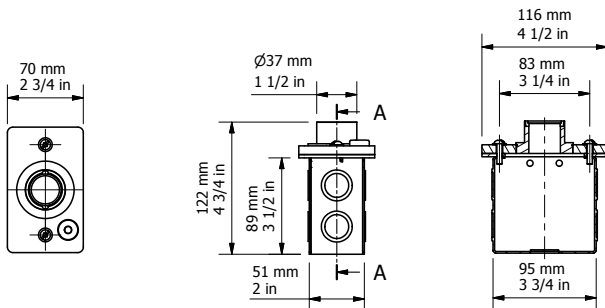
Code	Custom Flange + Box
EBX - L370	
	<p>SGB1 = MPLIGHTING Single gang box, 4-1/4" (107mm)</p> <p>SGB = Single gang box Iberville BCMBD1-K, 4-3/4" (122mm)</p> <p>SFD = Scepter FD, 4-1/4" (107mm)</p>

Single Gang Box 1 (SGB1-MAO & SGB1-SS0)

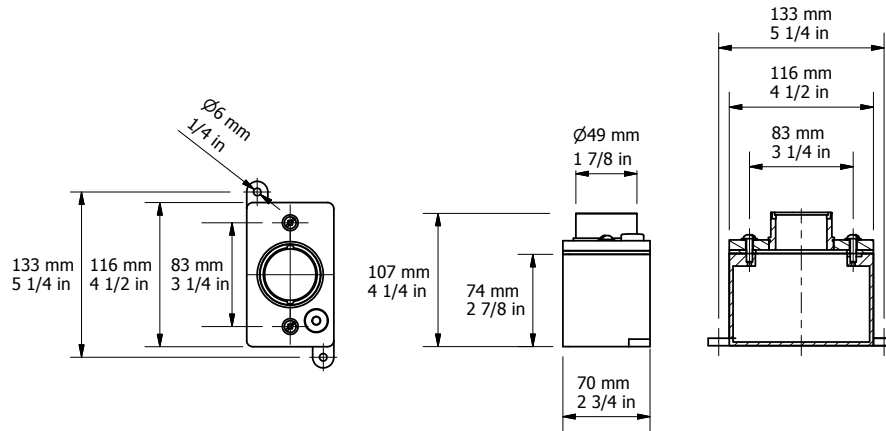
*Please contact and consult with MP Factory to purchase.



Single Gang Box (Iberville BCMBD1-K)

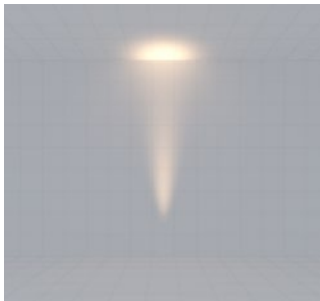


Scepter Box (Scepter FD)

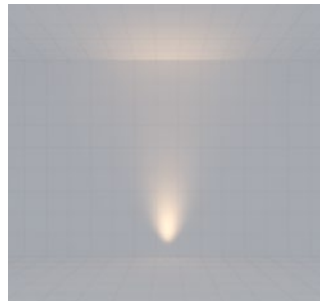


LIGHT DISTRIBUTION:

1.0Watt

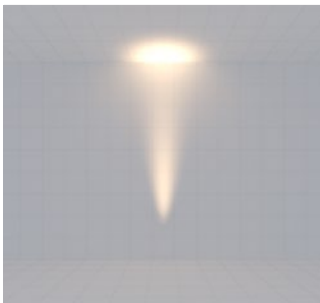


12° (Spot Beam), Clear lens, Matte clear anodized

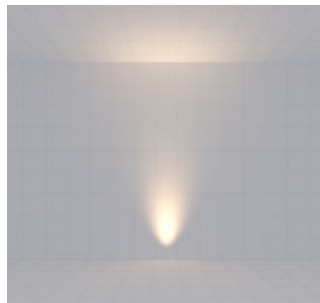


30° (Narrow Flood Beam), Clear lens, Matte clear anodized

2.5Watt



12° (Spot Beam), Clear lens, Matte clear anodized



30° (Narrow Flood Beam), Clear lens, Matte clear anodized

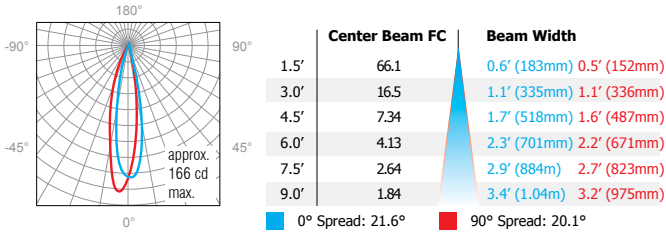
PHOTOMETRIC DATA:

1W, 3000K, Clear lens

Polar Candela Distribution

Illuminance at a Distance

Lumen: 33lm, Spot beam (12°)

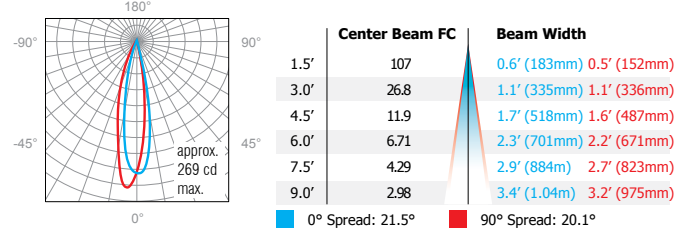


2.5W, 3000K, Clear lens

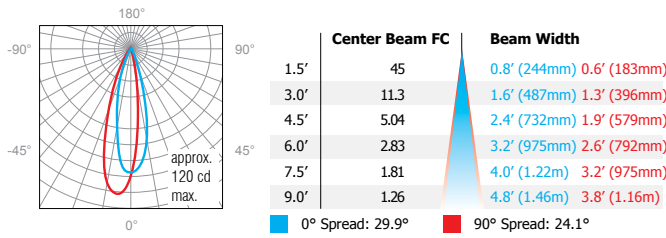
Polar Candela Distribution

Illuminance at a Distance

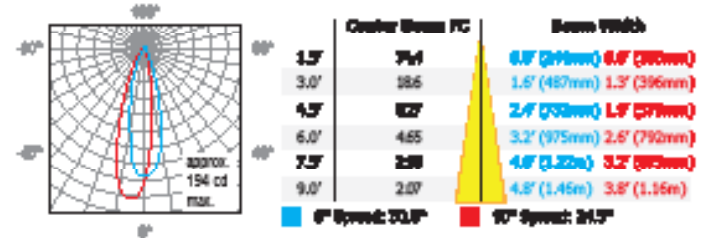
Lumen: 53.2lm, Spot beam (12°)



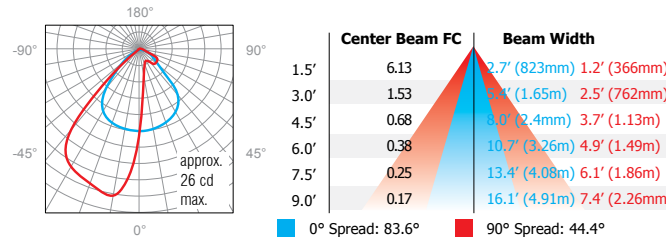
Lumen: 33lm, Narrow flood beam (30°)



Lumen: 52.4lm, Narrow flood beam (30°)



Lumen: 29lm, Wide beam (120°)



Lumen: 47.2lm, Wide beam (120°)

