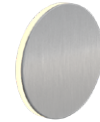


L390

EXTERIOR | INTERIOR

Wall-mount | For walls, and stairs

• Wet, Damp, and Dry location



Ordering Information

Clear Form

Date : _____ Quantity : _____

Project : _____ Note : _____

Type : _____

Specifications

Luminaire | Example Code: L390-2-W30H-F-MK1-S3

Product	Version	CCT & CRI ¹	Glass Cover	Mounting Kit ² (optional)	Trim Finish
L390			F		S3
	1 1W 2 2W	W22S 2200K 80+ W27H 2700K 90+ W30H 3000K 90+ W35H 3500K 90+ W41H 4100K 90+	F frosted	MK1 vertical surface	Stainless Steel Finish: S3 stainless steel 303

System Components (Ordered Separately)

Remote Driver : _____

* Consult MP Lighting Website or Factory.

Important Notes

Specification

1. Consult MP factory for Colour LED options.
2. Mounting kit is ordered separately. Please consult factory.

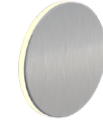
Warranty Notes & Disclaimer

Malfunction and damage to product due to incompatible dimming system or misuse will not be covered under warranty. Consult MP Lighting for recommended drivers. If the fixture has an option to be installed with a dimming control system, consult a dimming system manufacturer with minimum load before installing. MP Lighting reserves the right, at its sole discretion, at any time and without notice, to make design changes to any of our products. Consult MP Lighting website for most updated documentation.

L390

EXTERIOR | INTERIOR
Wall-mount | For walls, and stairs

- Wet, Damp, and Dry location



Performance

Wattage	Forward Current	Power Consumption Budget per fixture (including driver)	LED output (Source)	Fixture Output (Delivered)
1W	350mA	1.3W	110 lm	9.1 lm
2W	700mA	2.6W	275 lm	16 lm

Application

Environment	Wet / Damp / Dry Location approved. IP 66.
Mounting	<p>Recessed: Designed to be cast into concrete. Included backbox, flange and level for direct burial or casting applications.</p> <p>MK1 mounting kit (optional): Recommended for easy installation on vertical surfaces (e.g. stair risers, walls), and downward-facing surfaces (e.g. ceilings, soffits). See "Mounting Options & Dimensions, " or visit MK1</p>

Electrical

Power Supplies	Remote LED drivers (120-277V AC input, constant current output): Fixtures to be wired in series.
Control	<p>On/off control</p> <p>Dimming (consult factory): ELV or 0-10V dimming with appropriate drivers</p> <p>Other options (consult factory): TRIAC/MLV, DMX, DALI, Casambi, Power over Ethernet</p>

Luminaire Construction

LED Light Source	<p>W22S = CCT: 2200K, CRI (Ra): 80+, Colour Consistency: 3SDCM</p> <p>W27H = CCT: 2700K, CRI (Ra): 90+, Colour Consistency: 2SDCM</p> <p>W30H = CCT: 3000K, CRI (Ra): 90+, Colour Consistency: 2SDCM</p> <p>W35H = CCT: 3500K, CRI (Ra): 90+, Colour Consistency: 3SDCM (Contact factory for 2SDCM option)</p> <p>W41H = CCT: 4100K, CRI (Ra): 90+, Colour Consistency: 3SDCM</p>
Standard Compliance	✓ADA-compliant ✓WELL standard – Feature 58: Color Quality
Weight	N/A
Material	Fixture: Stainless steel (303) with polycarbonate lens, RoHS compliant.
Supplied with	<p>Standard installation housing: Comes with an octagonal back box, a flange, an integral leveling device, a plastic cap, gel filled wire nuts, and silicone grease.</p> <p>Cable: 6" (152mm) factory-installed wire lead</p>
Warranty & LED Life	5 years limited warranty Estimated useful life of LED is 50,000 hours.

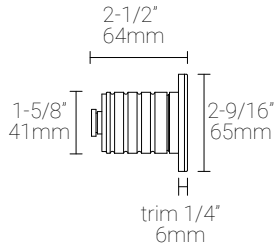
Ordered Separately

System Components	<p>Mounting kits: MK1</p> <p>Power Supplies: remote driver</p> <p>Please consult factory or visit Recommended Drivers for available driver options.</p>
-------------------	---

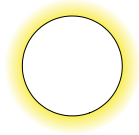
Mounting Options & Dimensions

LED Insert Dimensions

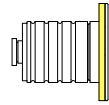
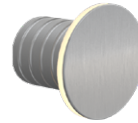
Fixture



Top View

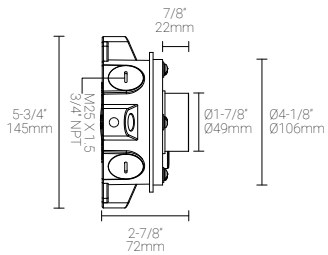


3D View

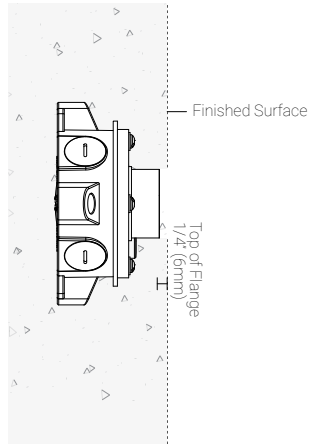


Wall Installation (shown with MP Lighting Back Box & Standard Flange | Order Code: EBX-OCT1-CSMA)

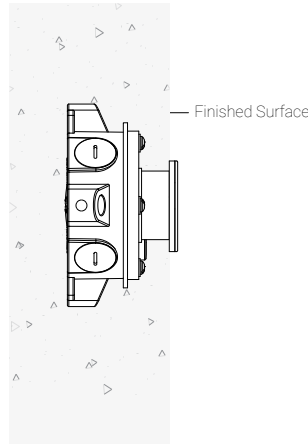
Box with Standard Flange



Box with Standard Flange:
During Concrete Installation



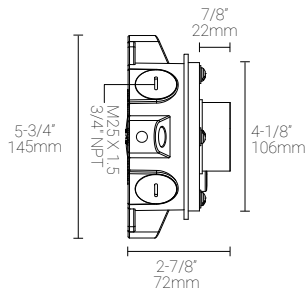
Box with Standard Flange:
Complete Concrete Installation



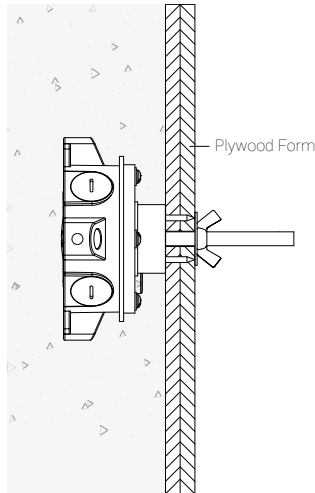
Mounting Kits

MK1(MK1-OCT1-C) : Ceiling, Wall, and Stair Riser Installation (shown with MP Lighting Back Box | Order Code: EBX-OCT1-CSMA)

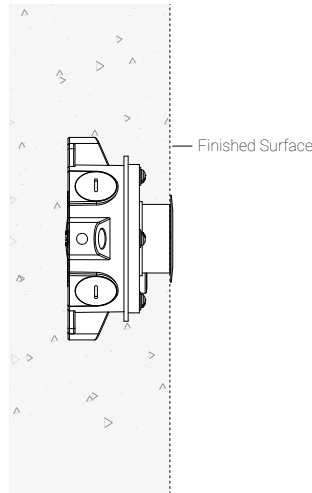
Box with Standard Flange



Box with Standard Flange & MK1:
During Installation



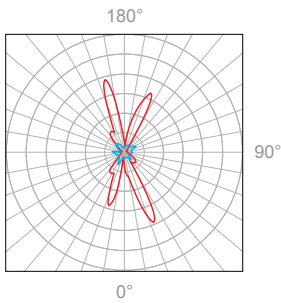
Box with Standard Flange:
Complete Installation



6" (152mm) threaded rod is supplied. Thread size: 3/8"-16

1W, 3000K, 90+ CRI

Polar Candela Distribution



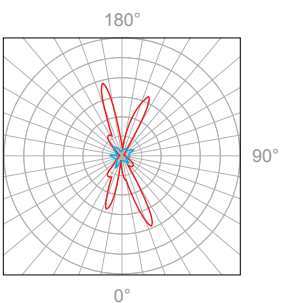
Illuminance at a Distance

Distance		Center Beam fc	Beam Width			
3.0ft	0.91m	0.04fc	9.9ft	3.02m	0.7ft	0.21m
6.0ft	1.83m	0.01fc	19.8ft	6.04m	1.4ft	0.43m
9.0ft	2.74m	0.00fc	29.7ft	9.05m	2.2ft	0.67m
12.0ft	3.66m	0.00fc	39.6ft	12.07m	2.9ft	0.88m
15.0ft	4.57m	0.00fc	49.5ft	15.09m	3.6ft	1.10m
18.0ft	5.49m	0.00fc	59.4ft	18.11m	4.3ft	1.31m

Delivered Lumen: 9.1lm
 ■ Vertical Beam Spread: 117.6°
 ■ Horizontal Beam Spread: 13.7°

2W, 3000K, 90+ CRI

Polar Candela Distribution



Illuminance at a Distance

Distance		Center Beam fc	Beam Width			
3.0ft	0.91m	0.09fc	9.9ft	3.02m	0.7ft	0.21m
6.0ft	1.83m	0.02fc	19.8ft	6.04m	1.4ft	0.43m
9.0ft	2.74m	0.01fc	29.7ft	9.05m	2.2ft	0.67m
12.0ft	3.66m	0.01fc	39.6ft	12.07m	2.9ft	0.88m
15.0ft	4.57m	0.00fc	49.5ft	15.09m	3.6ft	1.10m
18.0ft	5.49m	0.00fc	59.4ft	18.11m	4.3ft	1.31m

Delivered Lumen: 16lm
 ■ Vertical Beam Spread: 117.6°
 ■ Horizontal Beam Spread: 13.7°