

L394

EXTERIOR | INTERIOR

Wall-mount | For walls

• Wet, Damp, and Dry location



Ordering Information

Clear Form

Date : _____ Quantity : _____

Project : _____ Note : _____

Type : _____

Specifications

Luminaire | Example Code: L394-2-W30H-MK1-S-MA

Product	Version	CCT & CRI ¹	Mounting Kit ² (optional)	Flange & Back Box ^{3,4}	Trim Finish
L394					MA
	1 1W 2 2W	W22S 2200K 80+ W27H 2700K 90+ W30H 3000K 90+ W35H 3500K 90+ W41H 4100K 90+	MK1 vertical surface	Octagonal Aluminum Back Box with : S standard flange depth: 2-7/8" (73mm) NB no back box or flange	MA matte clear anodized

System Components (Ordered Separately)

Remote Driver : _____

* Consult MP Lighting Website or Factory.

Important Notes

Specification

1. See pg.2 - for Light Quality and Colour Consistency details.
2. Mounting kit is ordered separately. Please consult factory.
3. For components included, refer to Luminaire Construction section.
4. See pg.3 - for back box and flange options.

Warranty Notes & Disclaimer

Malfunction and damage to product due to incompatible dimming system or misuse will not be covered under warranty. Consult MP Lighting for recommended drivers. If the fixture has an option to be installed with a dimming control system, consult a dimming system manufacturer with minimum load before installing. MP Lighting reserves the right, at its sole discretion, at any time and without notice, to make design changes to any of our products. Consult MP Lighting website for most updated documentation.

L394

EXTERIOR | INTERIOR

Wall-mount | For walls

• Wet, Damp, and Dry location



Performance

Wattage	Forward Current	Power Consumption Budget per fixture (including driver)	LED output (Source)	Fixture Output (Delivered)
1W	350mA	1.3W	110 lm	4.3 lm
2W	700mA	2.6W	275 lm	8.5 lm

Application

Environment	Wet / Damp / Dry Location approved. IP 68.
Mounting	<p>Recessed: Designed to be cast into concrete. Included backbox, flange and level for direct burial or casting applications.</p> <p>MK1 mounting kit (optional): Recommended for easy installation on vertical surfaces (e.g. stair risers, walls). See "Mounting Options & Dimensions, " or visit MK1</p>

Electrical

Power Supplies	Remote LED drivers (120-277V AC input, constant current output): Fixtures to be wired in series.
Control	<p>On/off control</p> <p>Dimming: ELV or 0-10V dimming with appropriate drivers</p> <p>Other options (consult factory): TRIAC/MLV, DMX, DALI, Casambi, Power over Ethernet</p>

Luminaire Construction

LED Light Source	<p>W22S = CCT: 2200K, CRI (Ra): 80+, Colour Consistency: 3SDCM</p> <p>W27H = CCT: 2700K, CRI (Ra): 90+, Colour Consistency: 2SDCM</p> <p>W30H = CCT: 3000K, CRI (Ra): 90+, Colour Consistency: 2SDCM</p> <p>W35H = CCT: 3500K, CRI (Ra): 90+, Colour Consistency: 3SDCM (Contact factory for 2SDCM option)</p> <p>W41H = CCT: 4100K, CRI (Ra): 90+, Colour Consistency: 3SDCM</p>
Standard Compliance	✓ADA-compliant ✓WELL standard – Feature 58: Color Quality
Weight	N/A
Material	Fixture: machined marine-grade aluminum with tempered glass
Supplied with	<p>Standard installation housing: Comes with an octagonal back box, a flange, an integral leveling device, a plastic cap, gel filled wire nuts, and silicone grease.</p> <p>Cable: 6" (152mm) factory-installed wire lead</p>
Warranty & LED Life	<p>5 years limited warranty</p> <p>Estimated useful life of LED is 50,000 hours.</p>

Ordered Separately

System Components	<p>Power supplies: remote driver</p> <p>Please consult factory or visit Recommended Drivers for available driver options.</p> <p>Mounting kits: MK1</p> <p>Single gang boxes: see Pg.3-5 Mounting Options & Dimensions.</p>
-------------------	--

Mounting Options & Dimensions

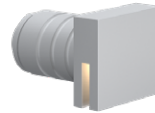
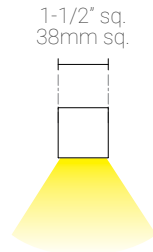
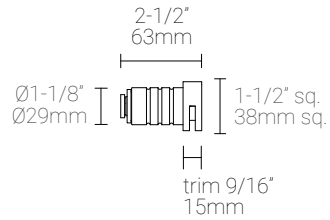
LED Insert Dimensions

Fixture

Top View

3D View

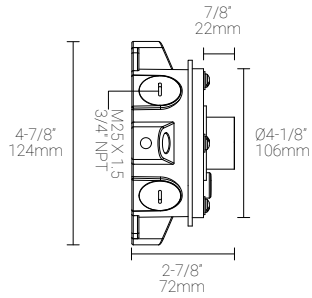
Beam



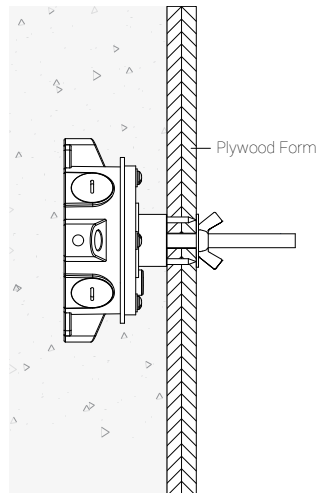
Mounting Kits

MK1(MK1-OCT1-C) : Ceiling, Wall, and Stair Riser Installation (shown with MP Lighting Back Box | Order Code: EBX-OCT1-BSMA)

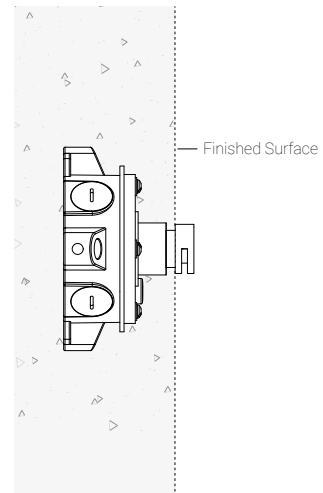
Box with Standard Flange



Box with Standard Flange & MK1:
During Installation



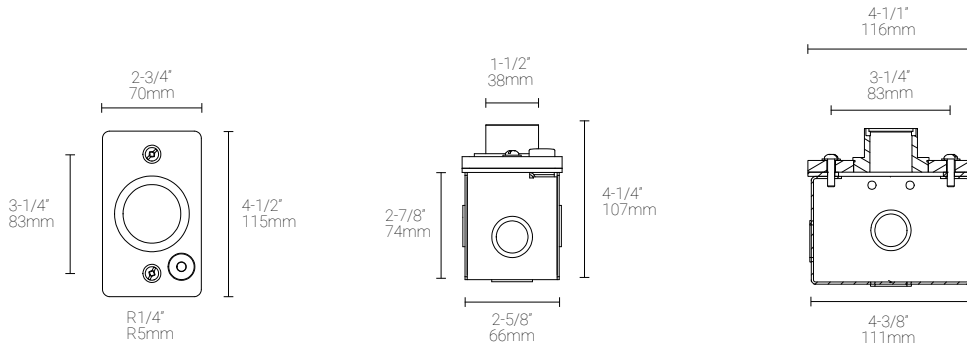
Box with Standard Flange
Complete Installation



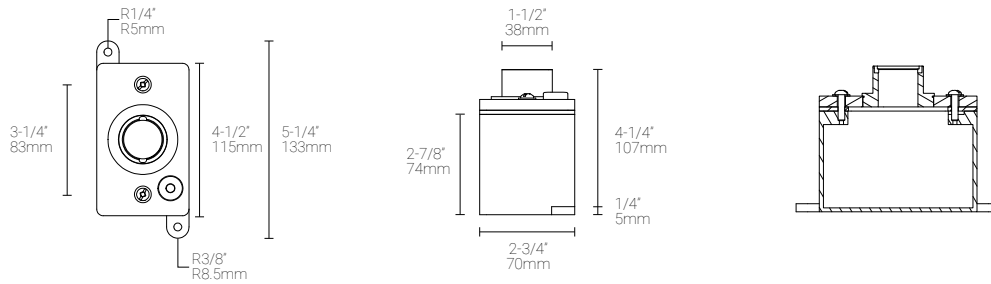
6" (152mm) threaded rod is supplied. Thread size: 3/8"-16

Custom Rectangular Back Box for Wall Installation (shown with Standard Flange)

MP Lighting Single Gang Back Box | Order Code: EBX-SGB1-BSS6



Scepter FD Back Box | Order Code: EBX-SFD-BSS6



Appendix

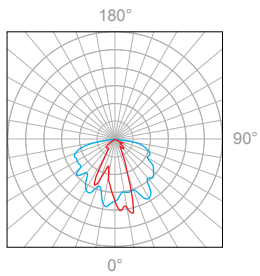
Aluminum Finishes



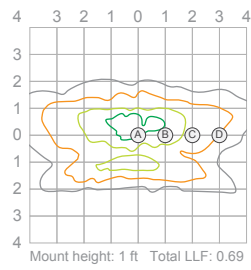
MA matte clear anodized

1W, 2700K, 90+ CRI

Polar Candela Distribution



Isofootcandle Plot



Illuminance at a Distance

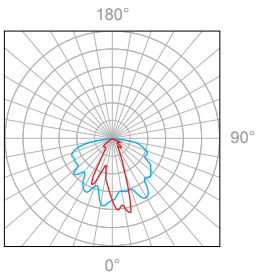
Location	Center Beam fc
A	2.46fc
B	0.82fc
C	0.16fc
D	0.05fc

Delivered Lumen: 4.3 lm

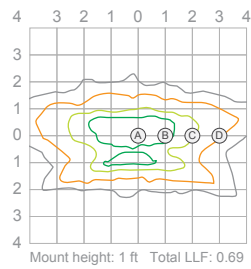
- Vertical Beam Spread: 165.8°
- Horizontal Beam Spread: 25.6°

2W, 2700K, 90+ CRI

Polar Candela Distribution



Isofootcandle Plot



Illuminance at a Distance

Location	Center Beam fc
A	4.4fc
B	1.11fc
C	0.21fc
D	0.7fc

Delivered Lumen: 4.3 lm

- Vertical Beam Spread: 165.8°
- Horizontal Beam Spread: 25.6°