




## L53

<b>Application</b>	Interior light applicable for used where narrow point of light is needed. Adjustable shield reduces or eliminates back glare allowing for reading instruments easily.
<b>IP Rating</b>	40
<b>Mounting</b>	Mounts with mounting springs. Includes 2' (610mm) wire lead.
<b>Electrical</b>	2.5 Watt, 700mA LEDS 3V DC or 12V AC
<b>Power Consumption</b>	3.0 Watt (at 700 mA, 2.5 Watt)
<b>Light Output</b>	2.5 Watt, 6.7lm <i>*For photometric data, see page 2</i>
<b>Warranty</b>	5 years limited warranty Estimated useful life of LED is 50,000 hours.
<b>Material</b>	Anodized aluminum. RoHS compliant.
<b>Weight</b>	0.5kg
<b>Approval</b>	

Type:

Project:

Modified:

Quantity:

Notes: **PLEASE READ** - When using a control system, consult dimming system manufacturer with minimum load before installing 12V AC transformer. Malfunction and damage to product due to improper dimming system installation or misuse will not be covered under warranty. Only DC Drivers are recommended for dimming systems. Consult MP Lighting for recommended drivers.

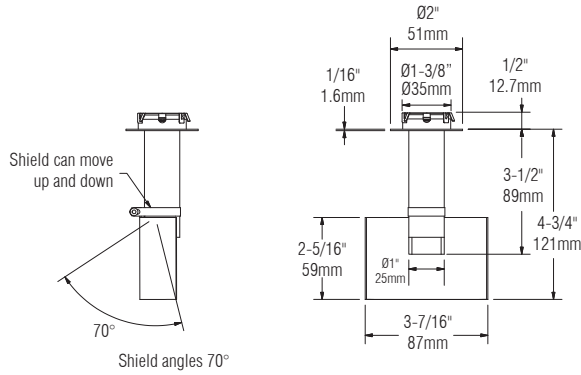
### Order Guide

Example: L53-2-W30S-10-A-BA

Code	Wattage	Color	Beam	Input Voltage	Finish
<b>L53</b>	- <b>2</b>	<b>W30S</b>	<b>10</b>	-	<b>BA</b>

2 = 2.5W    W30S = 3000K, 80+CRI    10 = 10°    D = DC    BA = black anodized  
A = 12V AC

**PHOTOMETRIC DATA:**



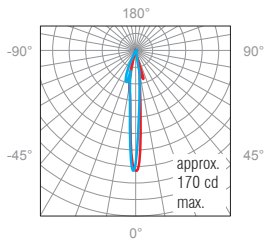
**PHOTOMETRIC DATA:**

**2.5W, 3000K, 80+ CRI, 10°**

**Polar Candela Distribution**

**Illuminance at a Distance**

Lumen: 6.7lm



	Center Beam FC	Beam Width	
1.0'	69.0	0.2' (5.08mm)	0.2' (5.08mm)
2.0'	17.3	0.3' (7.62mm)	0.3' (7.62mm)
3.0'	7.67	0.5' (12.7mm)	0.5' (12.7mm)
4.0'	4.31	0.7' (17.78mm)	0.7' (17.78mm)
5.0'	2.76	0.8' (20.32mm)	0.8' (20.32mm)
6.0'	1.92	1.0' (30.48mm)	1.0' (30.48mm)

■ 0° Spread: 9.6°     ■ 90° Spread: 9.3°