

# L53

## INTERIOR

Spotlight | For ceilings

● Dry location



### Ordering Information

Clear Form

Date :	_____	Quantity :	_____
Project :	_____	Note :	_____
Type :	_____		_____

### Specifications

Luminaire | Example Code: L53-F-2-W22S-10-BA

Product	Mounting	Version	CCT & CRI <sup>1</sup>	Beam Angle	Finish
<b>L53</b>		<b>2</b>	<b>W22S</b>	<b>10</b>	<b>BA</b>
	F friction fit spring clips C coil spring clip	2 2.5W	W22S 2200K 80+ W27H 2700K 90+ W30H 3000K 90+ W35H 3500K 90+ W41H 4100K 90+	10 10°	BA black anodized

### System Components (Ordered Separately)

Remote Driver : \_\_\_\_\_

\* Consult MP Lighting Website or Factory.

### Important Notes

#### Specification

1. Refer to pg.2 - for Light Quality & Colour Consistency details.

#### Warranty Notes & Disclaimer

Malfunction and damage to product due to incompatible dimming system or misuse will not be covered under warranty. Consult MP Lighting for recommended drivers. If the fixture has an option to be installed with a dimming control system, consult a dimming system manufacturer with minimum load before installing. MP Lighting reserves the right, at its sole discretion, at any time and without notice, to make design changes to any of our products. Consult MP Lighting website for most updated documentation.

# L53

## INTERIOR

Spotlight | For ceilings

● Dry location



### Performance

Wattage	Forward Current	Power Consumption Budget per fixture (including driver)	LED output (Source)	Fixture Output (Delivered)
2.5W	700mA	3.0W	275 lm	93-154 lm

### Application

Environment	Dry Location approved. IP 40.
Mounting	<b>F:</b> Recessed mount to cabinet millwork with friction fit spring clip <b>C:</b> Recessed mount with coil spring clip. Mounts directly to cabinet millwork or mounts to standard 4" octagonal back box (supplied by others) using MP Lighting cover plate (PLT-CS-01, ordered separately) in drywall applications. <b>Cut-out size:</b> Ø1-1/2" (38mm)

### Electrical

Electrical	Remote LED drivers (120-277V AC input, <b>constant current output</b> ): Fixtures to be wired in series.
Control	<b>On/off control</b> <b>Dimming:</b> ELV or 0-10V dimming with appropriate drivers <b>Other options (consult factory):</b> TRIAC/MLV, DMX, DALI, Casambi, Power over Ethernet

### Luminaire Construction

LED Light Source	<b>W22S</b> = CCT: 2200K, CRI (Ra): 80+, Colour Consistency: 3SDCM
Standard Compliance	✓ADA-compliant ✓WELL standard – Feature 58: Color Quality
Weight	N/A
Material	<b>Fixture:</b> machined marine-grade aluminum, antique brass, or antique bronze
Supplied with	<b>Standard installation:</b> Comes with friction fit spring clip or coil spring clip, and 2'(610mm) wire lead.
Warranty & LED Life	5 years limited warranty Estimated useful life of LED is 50,000 hours.

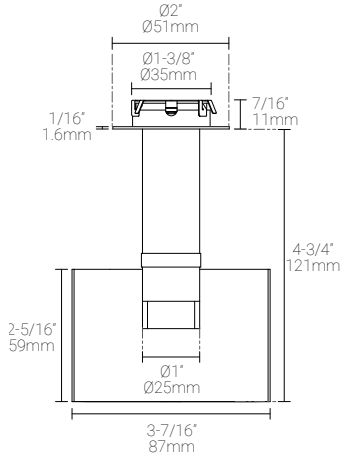
### Ordered Separately

System Components	<b>Power supplies:</b> remote driver Please consult factory or visit <a href="#">Recommended Drivers</a> for available driver options. <b>Mounting Plate for Coil Spring Clip (PLT-CS-01):</b> Refer to pg.4- Mounting Plate for Installation with standard 4" octagonal back box (supplied by others) in drywall applications.
-------------------	---

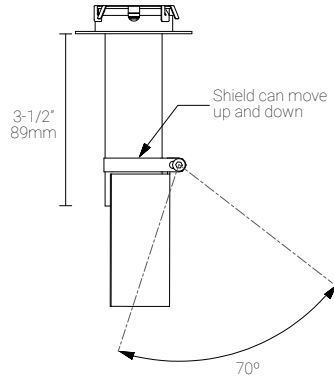
Mounting Options & Dimensions

LED Fixture Dimensions | with F, friction fit spring clip

Fixture



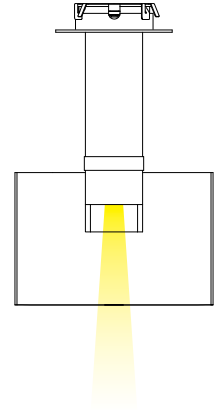
Bottom View



3D View

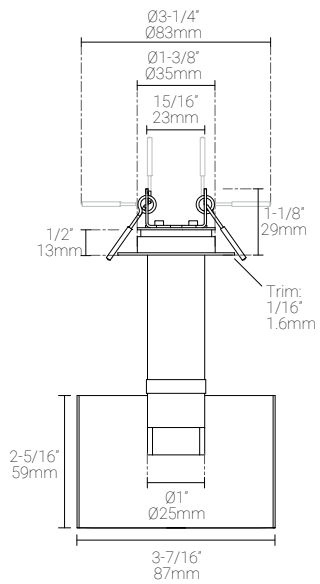


Beam

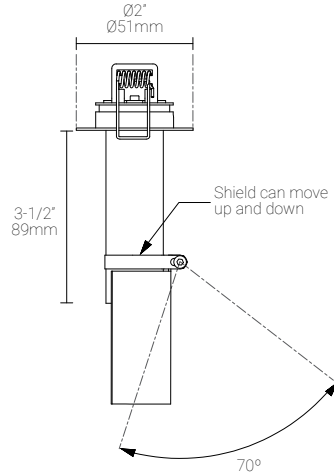


LED Fixture Dimensions | with C, coil spring clip

Fixture



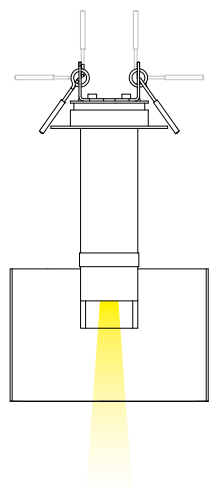
Bottom View



3D View



Beam

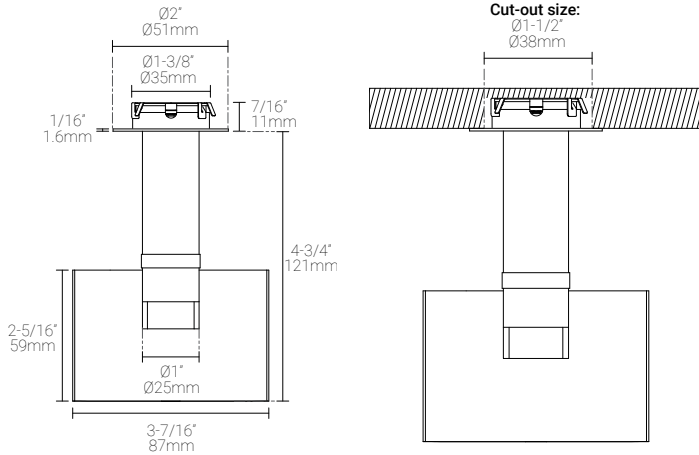


Mounting Options & Dimensions

Recessed mount Installation | with F, friction fit spring clip

Fixture

Push LED housing with friction fit spring clip into  $\varnothing 1\text{-}1/2"$  ( $\varnothing 38\text{mm}$ ) hole until flush with surface.

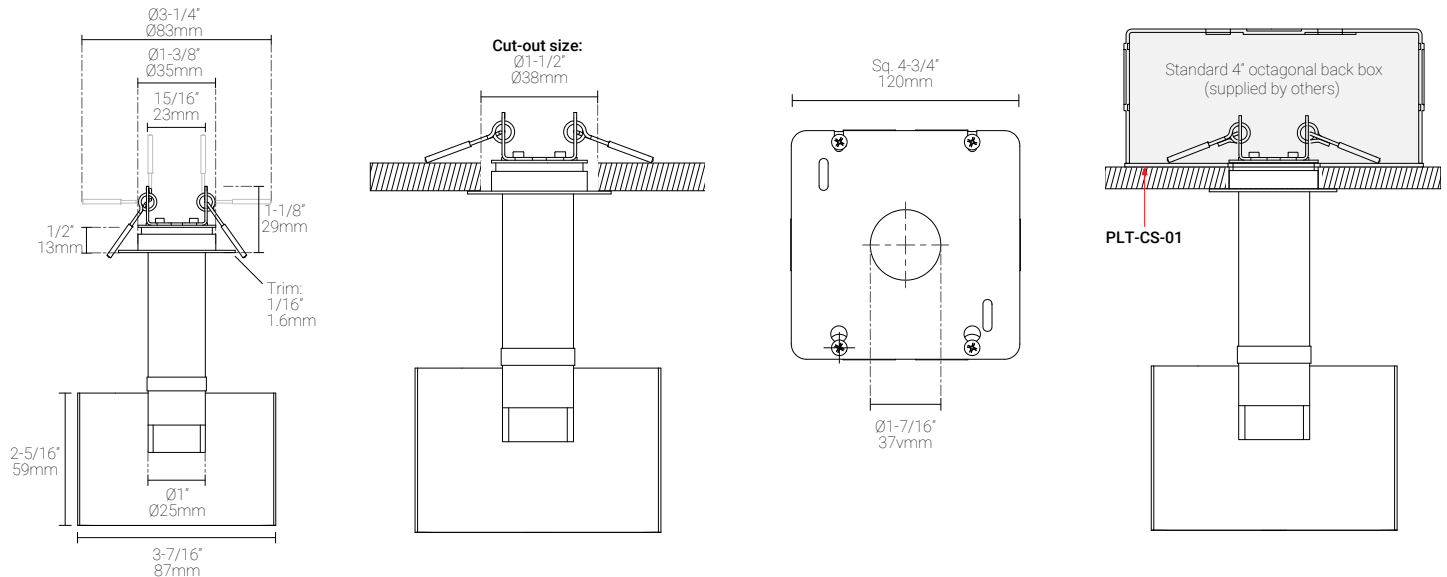


Recessed mount Installation | with C, coil spring clip

Fixture

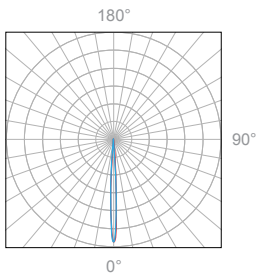
Push LED housing with coil spring clip into  $\varnothing 1\text{-}1/2"$  ( $\varnothing 38\text{mm}$ ) hole until flush with surface.

**PLT-CS-01 (ordered separately):** Mounting plate for **C**, coil spring clip. Compatible with standard 4" back box (supplied by others). Recommended for drywall applications.



2W, 3000K, 90+ CRI, 10°

**Polar Candela Distribution**



**Illuminance at a Distance**

Distance	Center Beam fc	Beam Width				
		Vertical	Horizontal	Vertical	Horizontal	
1.0ft	0.30m	75.7fc	0.2ft	0.06m	0.2ft	0.06m
2.0ft	0.61m	18.9fc	0.3ft	0.09m	0.3ft	0.09m
3.0ft	0.91m	8.41fc	0.5ft	0.15m	0.5ft	0.15m
4.0ft	1.22m	4.73fc	0.6ft	0.18m	0.6ft	0.18m
5.0ft	1.52m	3.03fc	0.8ft	0.24m	0.8ft	0.24m
6.0ft	1.83m	2.10fc	0.9ft	0.27m	0.9ft	0.27m

Delivered Lumen: 6.7lm  
■ Vertical Beam Spread: 9°  
■ Horizontal Beam Spread: 9°