

# L631

## INTERIOR

Pendant System | Composed of L191 X 7

● Dry location



### Ordering Information

Clear Form

Date :	_____	Quantity :	_____
Project :	_____	Note :	_____
Type :	_____		_____

### Specifications

Luminaire | Example Code: L631-C11-2-W30H-C72-SI

Product	Mounting Option	Fixture Length	CCT & CRI	Cord <sup>1</sup>	Hardware Finish
<b>L631</b>	<b>C11</b>				
	C11 square canopy: 30" X 30" (762mm X 762mm)	2 2' (610mm) 4 4' (1219mm)	<b>W22S</b> 2200K 80+ <b>W27H</b> 2700K 90+ <b>W30H</b> 3000K 90+ <b>W35H</b> 3500K 90+	<b>C72</b> 72" (1829mm) <b>CX</b> custom	<b>SI</b> silver <b>BK</b> black powder coated

### System Components (Ordered Separately)

Remote Driver : \_\_\_\_\_

\* Consult MP Lighting Website or Factory.

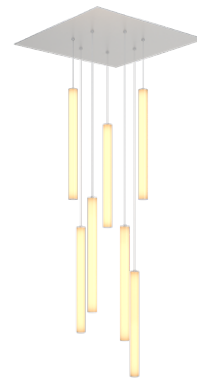
### Important Notes

#### Specification

1. *Minimum: 6" (152mm) Maximum: 8' (2439mm), 1" (25mm) increments.*

#### Warranty Notes & Disclaimer

*Malfunction and damage to product due to incompatible dimming system or misuse will not be covered under warranty. Consult MP Lighting for recommended drivers. If the fixture has an option to be installed with a dimming control system, consult a dimming system manufacturer with minimum load before installing. MP Lighting reserves the right, at its sole discretion, at any time and without notice, to make design changes to any of our products. Consult MP Lighting website for most updated documentation.*



# L631

## INTERIOR

Pendant System | Composed of L191 X 7

● Dry location



### Performance | Each pendant (L191)

Wattage	Forward Current	Power Consumption Budget per fixture (including driver)	LED output (Source)	Fixture Output (Delivered)
9W	350mA	10W	990lm	264lm
17W	700mA	18W	1870lm	527lm

### Application

Environment	Dry Location approved. IP 20.
Mounting	C11 canopy retrofit to a 4" octagonal box using the mounting plate (included)

### Electrical

Power Supplies	Remote LED drivers (120-277V AC input, <b>constant current output</b> ): Fixtures to be wired in series. Remote LED drivers (100-277V AC input, <b>constant voltage output</b> ): Fixtures to be wired in parallel.
Control	<b>On/off control</b> <b>Dimming:</b> ELV or 0-10V dimming with appropriate drivers <b>Other options (consult factory):</b> TRIAC/MLV, DMX, DALI, Casambi, Power over Ethernet

### Luminaire Construction

LED Light Source	<b>W22S</b> = CCT: 2200K, CRI (Ra): 80+, Colour Consistency: 3SDCM <b>W27H</b> = CCT: 2700K, CRI (Ra): 90+, Colour Consistency: 3SDCM <b>W30H</b> = CCT: 3000K, CRI (Ra): 90+, Colour Consistency: 3SDCM <b>W35H</b> = CCT: 3500K, CRI (Ra): 90+, Colour Consistency: 3SDCM
Standard Compliance	✓ WELL standard – Feature 58: Color Quality
Weight	N/A
Material	<b>Fixture:</b> PMMA <b>Hardware:</b> Machined marine-grade aluminum
Supplied with	<b>Standard installation housing:</b> Comes with a canopy, mounting bracket, socket head screws (10), safety cables. Not included: mounting fasteners <b>Cord:</b> 72" (1829mm) cord is included. Consult factory for custom cord length.
Warranty & LED Life	5 years limited warranty Estimated useful life of LED is 50,000 hours.

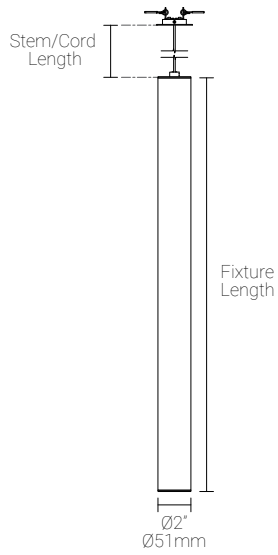
### Ordered Separately

System Components	<b>Power supplies:</b> remote driver Please consult factory or visit <a href="#">Recommended Drivers</a> for available driver options.
-------------------	---

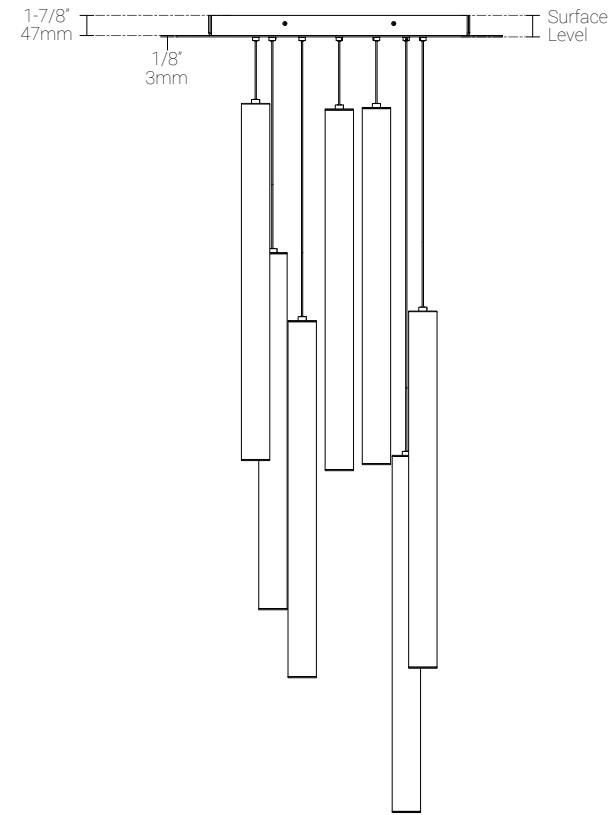
Mounting Options & Dimensions

LED Fixture Dimensions

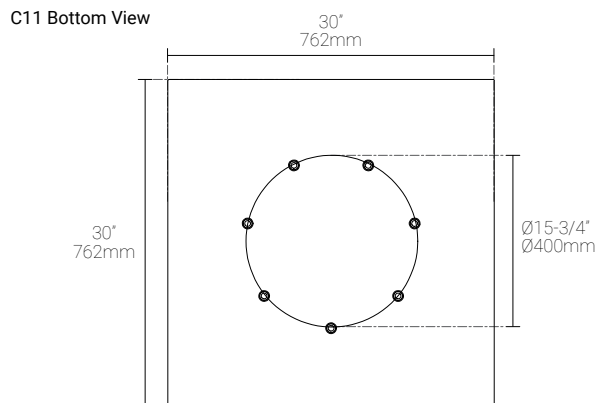
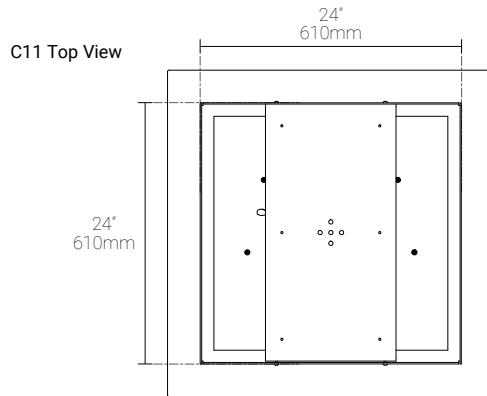
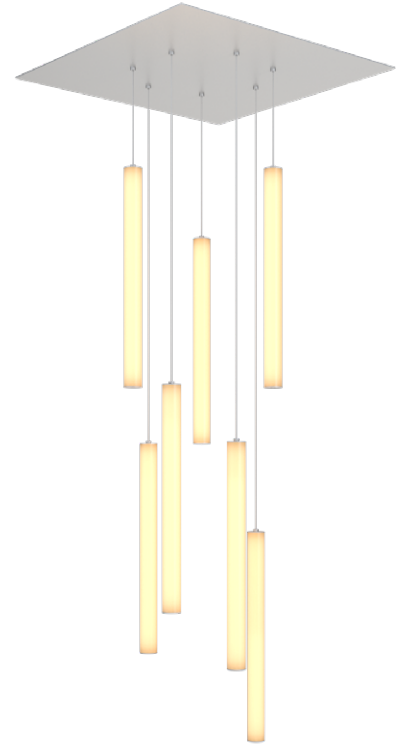
Fixture: Individual L191



Fixture: L631

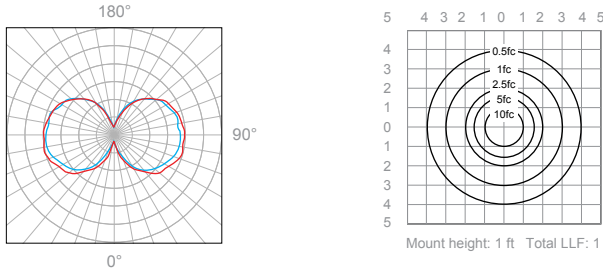


3D View



L191 | 2', 9W, 3000K, 80+ CRI

Polar Candela Distribution



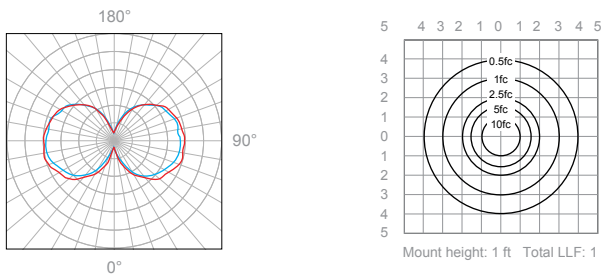
Illuminance at a Distance

Distance		Center Beam fc	Beam Width			
1.0ft	0.30m	2.25fc	0.1ft	0.03m	0.1ft	0.03m
2.0ft	0.61m	0.56fc	0.2ft	0.09m	0.2ft	0.09m
3.0ft	0.91m	0.25fc	0.3ft	0.18m	0.3ft	0.18m
4.0ft	1.22m	0.14fc	0.4ft	0.27m	0.4ft	0.27m
5.0ft	1.52m	0.09fc	0.5ft	0.37m	0.5ft	0.37m
6.0ft	1.83m	0.06fc	0.6ft	0.46m	0.6ft	0.46m

Delivered Lumen: 264.2 lm  
 ■ Vertical Beam Spread: 6°  
 ■ Horizontal Beam Spread: 6°

L191 | 4', 17W, 3000K, 80+ CRI

Polar Candela Distribution



Illuminance at a Distance

Distance		Center Beam fc	Beam Width			
1.0ft	0.30m	4.24fc	0.1ft	0.03m	0.1ft	0.03m
2.0ft	0.61m	1.06fc	0.2ft	0.09m	0.2ft	0.09m
3.0ft	0.91m	0.47fc	0.3ft	0.18m	0.3ft	0.18m
4.0ft	1.22m	0.27fc	0.4ft	0.27m	0.4ft	0.27m
5.0ft	1.52m	0.17fc	0.5ft	0.37m	0.5ft	0.37m
6.0ft	1.83m	0.12fc	0.6ft	0.46m	0.6ft	0.46m

Delivered Lumen: 527.8 lm  
 ■ Vertical Beam Spread: 6°  
 ■ Horizontal Beam Spread: 6°

Full Spectrum

— Full Spectrum — Standard Illuminant @ 3000K — Ra≥80

