



L72C1

- Application** Interior directional light for wall, picture or signage illumination.
Recommended Projects - Commercial, Institutional, Retail, Educational, Architecture
- IP Rating** 20
- Mounting** Retrofit to existing standard octagonal box using custom mounting plate (included).
- Electrical** 12 x 1W, 350mA LEDs.
12V AC or 24V DC
- Power Consumption** 17W
- Light Output** 12 Watt, 487~792lm
*For photometric data, see page 02
- Warranty** 5 years limited warranty
Estimated useful life of LED is 50,000 hours.
- Material** Solid anodized aluminum, RoHS compliant.
- Weight** 0.926lbs (0.445kg)
- Approval** Dry locations. Approved to US and Canadian standards by CSA.



Type:

Project:

Modified:

Quantity:

Notes:

Emergency Driver options (remote):

MP Lighting Emergency Backup Unit.
Input: 100-277V, 50/60Hz / Output: 11-36V, 16W
Bodine Emergency Micro Inverter
Input: 120/277V, 50/60Hz / Output: 120/277V, 60Hz, 20W

DISCLAIMER When using a control system, consult dimming system manufacturer with minimum load before installing 12V AC transformer. Malfunction and damage to product due to improper dimming system installation or misuse will not be covered under warranty. Only DC Drivers are recommended for dimming systems. Consult MP Lighting for recommended drivers.

*MP Lighting reserves the right, at its sole discretion, at any time and without notice, to make design changes to any of our products.

Order Guide

Example: L72-C1M-W27S-S-A-1-MA

Code	Mounting	Color	Beam	Input Voltage	Stem	Finish
L72	C1M	-	-	-	-	MA

C1M = Ø2-3/8" x 1/4" canopy w/ retrofit mounting plate

W27S = 2700K, std CRI
W30S = 3000K, std CRI
W35S = 3500K, std CRI
W41S = 4100K, std CRI
W20H = 2000K, high CRI
W30H = 3000K, high CRI

S = spot (12°)
N = narrow flood (30°)
F = flood (60°)

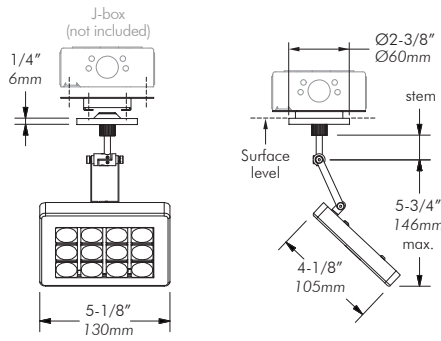
A = 12V AC
D = DC

1 = 1" (25mm)
X = custom

MA = matte clear anodized

Note: Standard CRI has a value of 75-82 while high CRI has 92.

DIMENSION:



C1M
(retrofit mounting plate)

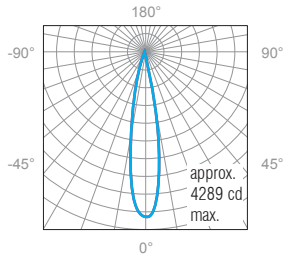
PHOTOMETRIC DATA:

12W, 3000K

Polar Candela Distribution

Illuminance at a Distance

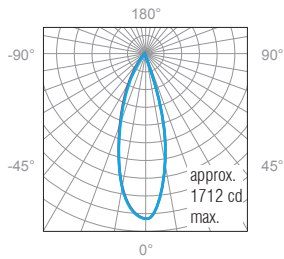
Lumen: 792lm, Spot beam



	Center Beam FC	Beam Width
3.0'	476.5	1.0'
6.0'	119.1	2.0'
9.0'	52.9	3.0'
12.0'	29.8	4.0'
15.0'	19.1	5.0'
18.0'	13.2	6.0'

0° Spread: 19.0°

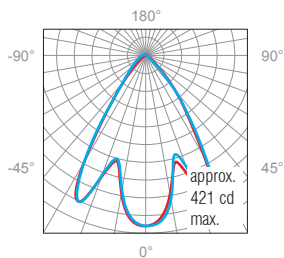
Lumen: 533lm, Narrow beam (30°)



	Center Beam FC	Beam Width
3.0'	190.2	1.6'
6.0'	47.6	3.3'
9.0'	21.1	4.9'
12.0'	11.9	6.6'
15.0'	7.6	8.2'
18.0'	5.3	9.9'

0° Spread: 30.7°

Lumen: 487lm, Narrow Flood beam (60°)



	Center Beam FC	Beam Width
3.0'	46.7	3.9' 3.9'
6.0'	11.7	7.7' 7.8'
9.0'	5.2	11.6' 11.7'
12.0'	2.9	15.4' 15.6'
15.0'	1.9	19.3' 19.5'
18.0'	1.3	23.1' 23.4'

0° Spread: 65.5° 0° Spread: 66.0°

