



Type:
Project:
Modified:
Quantity:
Notes:

DISCLAIMER - When using a control system, consult dimming system manufacturer with minimum load before installing. Malfunction and damage to product due to improper dimming system installation or misuse will not be covered under warranty. Only DC Drivers are recommended for dimming systems. Consult MP Lighting for recommended drivers.

*MP Lighting reserves the right, at its sole discretion, at any time and without notice, to make design changes to any of our products.

Order Guide

Example: L72-SR-W27S-S-D-1-MA

Code	Mounting	Color	Beam	Input Voltage	Stem	Finish
L72	SR	-	-	D	-	MA
	SR = single rail	W27S = 2700K, std CRI W30S = 3000K, std CRI W35S = 3500K, std CRI W41S = 4100K, std CRI W20H = 2000K, high CRI W30H = 3000K, high CRI	S = spot (12°) N = narrow flood (30°) F = flood (60°)	D = DC	1 = 1" (25mm) X = custom	MA = matte clear anodized

Note: Standard CRI has a value of 75-82 while high CRI has 92.

L72SR

Application Interior directional light for wall, picture or signage illumination.
 Recommended Projects - Commercial, Institutional, Retail, Educational, Architecture

IP Rating 20

Mounting Rotatable and easy to position. Designed for use on MP single rail system (sold separately).
 * See installation sheet.

Electrical 12 x 1W, 350mA LEDs.
 24V DC

Power Consumption 17W

Light Output 12 Watt, 487~792lm
 *For photometric data, see page 02

Warranty 5 years limited warranty
 Estimated useful life of LED is 50,000 hours.

Material Solid anodized aluminum, RoHS compliant.

Weight 0.926lbs (0.445kg)

Approval Dry locations. Approved to US and Canadian standards by CSA.

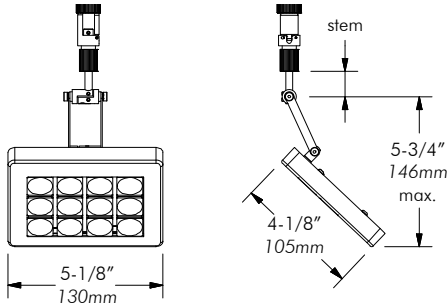


Emergency Driver options (remote):

MP Lighting Emergency Backup Unit.
 Input: 100-277V, 50/60Hz / Output: 11-36V, 16W

Bodine Emergency Micro Inverter
 Input: 120/277V, 50/60Hz / Output: 120/277V, 60Hz, 20W

DIMENSION:



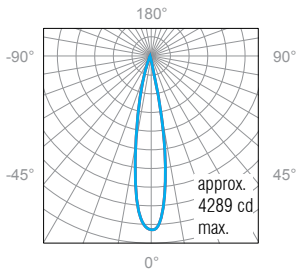
PHOTOMETRIC DATA:

12W, 3000K

Polar Candela Distribution

Illuminance at a Distance

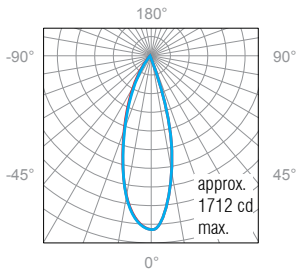
Lumen: 792lm, Spot beam



	Center Beam FC	Beam Width
3.0'	476.5	1.0'
6.0'	119.1	2.0'
9.0'	52.9	3.0'
12.0'	29.8	4.0'
15.0'	19.1	5.0'
18.0'	13.2	6.0'

0° Spread: 19.0°

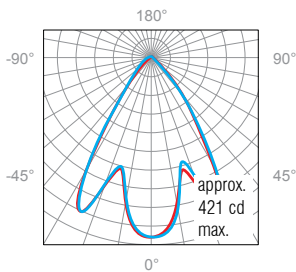
Lumen: 533lm, Narrow beam (30°)



	Center Beam FC	Beam Width
3.0'	190.2	1.6'
6.0'	47.6	3.3'
9.0'	21.1	4.9'
12.0'	11.9	6.6'
15.0'	7.6	8.2'
18.0'	5.3	9.9'

0° Spread: 30.7°

Lumen: 487lm, Narrow Flood beam (60°)



	Center Beam FC	Beam Width
3.0'	46.7	3.9' 3.9'
6.0'	11.7	7.7' 7.8'
9.0'	5.2	11.6' 11.7'
12.0'	2.9	15.4' 15.6'
15.0'	1.9	19.3' 19.5'
18.0'	1.3	23.1' 23.4'

0° Spread: 65.5° 0° Spread: 66.0°