



# L73DC

- Application** Interior directional light for wall, picture or signage illumination.  
Recommended Projects - Commercial, Institutional, Retail, Educational, Architecture
- IP Rating** 20
- Mounting** Rotatable and easy to position. Designed for use on MP dual circuit rail system (sold separately)
- Electrical** 6 x 1W, 350mA LEDs.  
24V DC
- Power Consumption** 8W
- Light Output** 12 Watt, 487~792lm  
\*For photometric data, see page 02
- Warranty** 5 years limited warranty  
Estimated useful life of LED is 50,000 hours.
- Material** Solid anodized aluminum, RoHS compliant.
- Weight** 0.77lbs (0.35kg)
- Approval** Dry locations. Approved to US and Canadian standards by CSA.



**Emergency Driver options (remote):**

- MP Lighting Emergency Backup Unit.
- Input: 100-277V, 50/60Hz / Output: 11-36V, 16W
- Bodine Emergency Micro Inverter
- Input: 120/277V, 50/60Hz / Output: 120/277V, 60Hz, 20W

- Type:
- Project:
- Modified:
- Quantity:
- Notes:

**DISCLAIMER** - When using a control system, consult dimming system manufacturer with minimum load before installing. Malfunction and damage to product due to improper dimming system installation or misuse will not be covered under warranty. Only DC Drivers are recommended for dimming systems. Consult MP Lighting for recommended drivers.

\*MP Lighting reserves the right, at its sole discretion, at any time and without notice, to make design changes to any of our products.

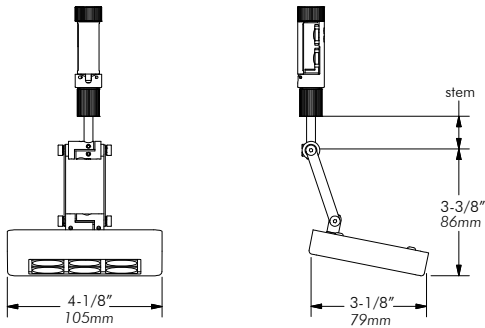
**Order Guide**

Example: L73-DC-W27S-S-A-1-MA

Code	Mounting	Color	Beam	Input Voltage	Stem	Finish
<b>L73</b>	<b>DC</b>	-		<b>D</b>	-	<b>MA</b>
	DC = dual circuit	<b>W27S</b> = 2700K, 80+CRI <b>W30S</b> = 3000K, 80+CRI <b>W35S</b> = 3500K, 80+CRI <b>W41S</b> = 4100K, 80+CRI <b>W20H</b> = 2000K, 90+CRI <b>W30H</b> = 3000K, 90+CRI	<b>S</b> = spot (12°) <b>N</b> = narrow flood (30°) <b>F</b> = flood (60°)	<b>D</b> = DC	<b>1</b> = 1" (25mm) <b>X</b> = custom	<b>MA</b> = matte clear anodized

Note: Standard CRI has a value of 75-82 while high CRI has 92.

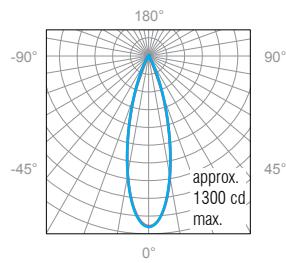
**DIMENSION:**



**PHOTOMETRIC:**

**L73**  
30°  
3000K Std  
318 lm

**Polar Candela Distribution**



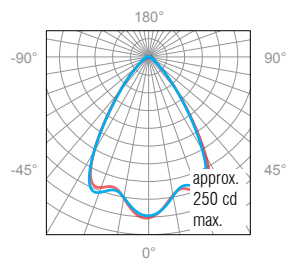
**Illuminance at a Distance**

	Center Beam FC	Beam Width	
4.0'	82.3	2.1'	2.1'
5.0'	52.6	2.6'	2.6'
6.0'	36.6	3.1'	3.1'
7.0'	26.9	3.6'	3.6'
8.0'	20.6	4.1'	4.1'
9.0'	16.2	4.7'	4.7'

0° Spread: 29.1°    90° Spread: 29.0°

**L73**  
60°  
3000K Std  
320 lm

**Polar Candela Distribution**



**Illuminance at a Distance**

	Center Beam FC	Beam Width	
4.0'	15.6	5.5'	5.5'
5.0'	10.0	6.8'	6.9'
6.0'	6.9	8.2'	8.3'
7.0'	5.1	9.6'	9.7'
8.0'	3.9	10.9'	11.0'
9.0'	3.1	12.3'	12.4'

0° Spread: 68.6°    90° Spread: 69.2°