



Type:
Project:
Modified:
Quantity:
Notes:

DISCLAIMER - When using a control system, consult dimming system manufacturer with minimum load before installing. Malfunction and damage to product due to improper dimming system installation or misuse will not be covered under warranty. Only DC Drivers are recommended for dimming systems. Consult MP Lighting for recommended drivers.

*MP Lighting reserves the right, at its sole discretion, at any time and without notice, to make design changes to any of our products.

Order Guide

Example: L73-SR-W27S-S-A-1-MA

Code	Mounting	Color	Beam	Input Voltage	Stem	Finish
L73	SR	-	-	D	-	MA
	SR = single rail	W27S = 2700K, 80+CRI W30S = 3000K, 80+CRI W35S = 3500K, 80+CRI W41S = 4100K, 80+CRI W20H = 2000K, 90+CRI W30H = 3000K, 90+CRI	S = spot (12°) N = narrow flood (30°) F = flood (60°)	D = DC	1 = 1" (25mm) X = custom	MA = matte clear anodized

Note: Standard CRI has a value of 75-82 while high CRI has 92.

L73SR

Application Interior directional light for wall, picture or signage illumination.
 Recommended Projects - Commercial, Institutional, Retail, Educational, Architecture

IP Rating 20

Mounting Rotatable and easy to position. Designed for use on MP single rail system (sold separately)

Electrical 6 x 1W, 350mA LEDs.
24V DC

Power Consumption 8W

Light Output 12 Watt, 487~792lm
*For photometric data, see page 02

Warranty 5 years limited warranty
Estimated useful life of LED is 50,000 hours.

Material Solid anodized aluminum, RoHS compliant.

Weight 0.77lbs (0.35kg)

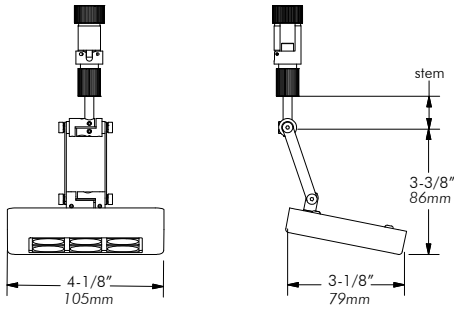
Approval Dry locations. Approved to US and Canadian standards by CSA.



Emergency Driver options (remote):

MP Lighting Emergency Backup Unit.
 Input: 100-277V, 50/60Hz / Output: 11-36V, 16W
 Bodine Emergency Micro Inventor
 Input: 120/277V, 50/60Hz / Output: 120/277V, 60Hz, 20W

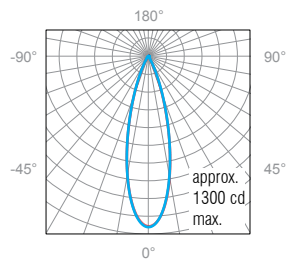
DIMENSION:



PHOTOMETRIC:

L73
30°
3000K Std
318 lm

Polar Candela Distribution



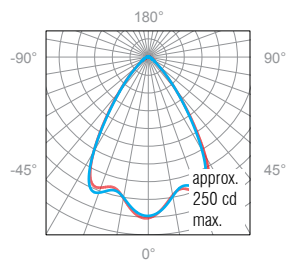
Illuminance at a Distance

	Center Beam FC	Beam Width	
4.0'	82.3	2.1'	2.1'
5.0'	52.6	2.6'	2.6'
6.0'	36.6	3.1'	3.1'
7.0'	26.9	3.6'	3.6'
8.0'	20.6	4.1'	4.1'
9.0'	16.2	4.7'	4.7'

0° Spread: 29.1° 90° Spread: 29.0°

L73
60°
3000K Std
320 lm

Polar Candela Distribution



Illuminance at a Distance

	Center Beam FC	Beam Width	
4.0'	15.6	5.5'	5.5'
5.0'	10.0	6.8'	6.9'
6.0'	6.9	8.2'	8.3'
7.0'	5.1	9.6'	9.7'
8.0'	3.9	10.9'	11.0'
9.0'	3.1	12.3'	12.4'

0° Spread: 68.6° 90° Spread: 69.2°