

L741 (photoeye)

Application Interior
For use on walls, stairs and walkways
ADA compliant.
Suitable for dry locations.

IP rating 40

Mounting Mounts to single gang box or octagan junction box. Box opening must be 2 3/8" wide by 2" tall by 1 1/2" depth minimum. (junction box not included)
* See installation sheet.

Electrical Integral Non Dimmable Driver 120V -
3W (350mA)
6W (700mA)
* Consult Factory for Integral Driver 120 - 277V / 6W option with Phase Dimmer and or 0-10V.
* Consult factory for alternate driver options.

Power 4.0 Watt

Consumption 8.0 Watt

Light Output 3.0 Watt, 35 lm
6.0 Watt, 56 lm

**For photometric data, see page 02*

Warranty 5 years limited warranty
Estimated useful life of LED is 50,000 hours.

Material Solid anodized aluminum. RoHS compliant

Weight 1.5lbs (0.68kg)

Approval



DISCLAIMER Malfunction and damage to product due to improper dimming system installation or misuse will not be covered under warranty. Only DC Drivers are recommended for dimming systems. Consult MP Lighting for recommended drivers.

*MP Lighting reserves the right, at its sole discretion, at any time and without notice, to make design changes to any of our products.

Type:

Project:

Modified:

Quantity:

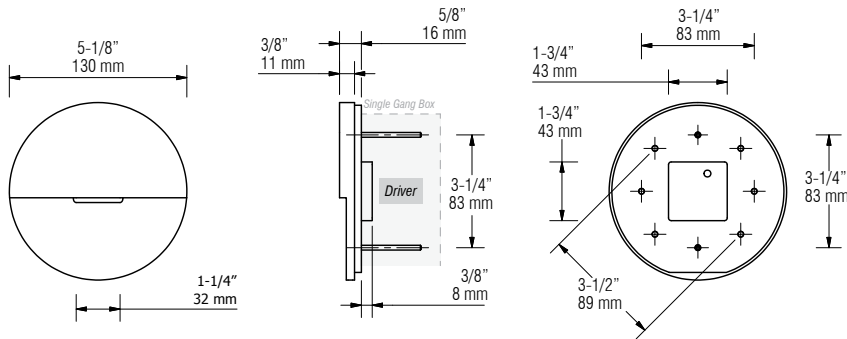
Notes:

Order Guide

Example: L741-6-W30S-D-MA

Code	Wattage	Color	Input Voltage	Finish
L741	-		-	
	3 = 3W 6 = 6W	W22S = 2200K, 80+CRI W27S = 2700K, 80+CRI W30S = 3000K, 80+CRI W35S = 3500K, 80+CRI W41S = 4100K, 80+CRI W27H = 2700K, 90+CRI W30H = 3000K, 90+CRI W35H = 3500K, 90+CRI	1 = 120V 2 = 277V	MA = matte clear anodized BK = black powder coating WH = white powder coating BZ = bronze powder coating

DIMENSION:



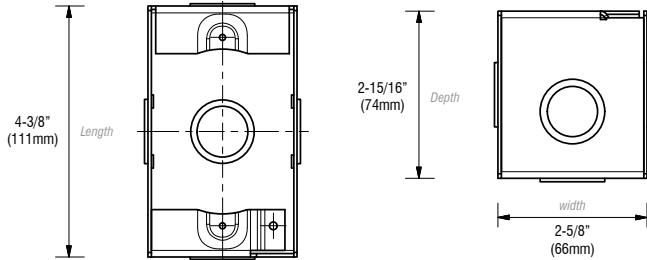
CUSTOM RECTANGULAR BOXES ORDER GUIDE:

custom boxes & flange

EBX - _____

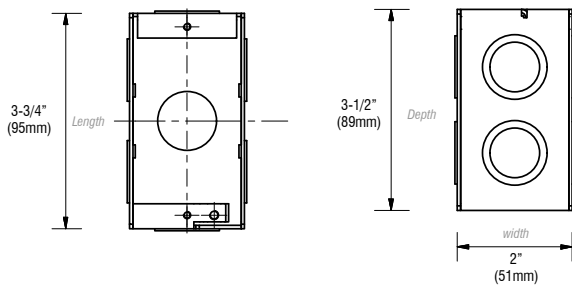
- SGB1** = MPLIGHTING Single gang box 1, 4-1/4" (107mm)
- SGB** = Single gang box, IBERVILLE BCMBD-K, 4-3/4" (122mm)
- SFD** = Scepter / FD BOX-DEEP, 4-1/4" (107mm)

CUSTOM BOXES:

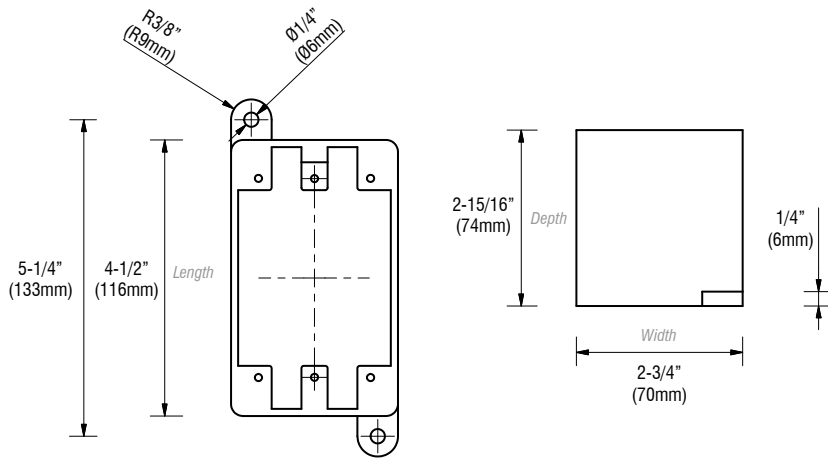


SGB1 (MP LIGHTING Single Gang Box 1 - 304 stainless steel)

*Not included, for inquiry or purchase please consult with MP Factory



SGB (Single Gang Box IBERVILLE BCMBD-K)



SFD (Scepter / FD BOX-DEEP)

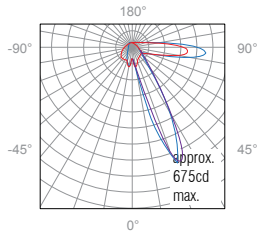
PHOTOMETRIC DATA:

3W, 3000K 80+CRI

Polar Candela Distribution

Illuminance at a Distance

Lumen: 34.9lm



Center Beam FC	Beam Width
3.0'	0.73 0.8' (0.24m)
6.0'	0.18 1.6' (0.48m)
9.0'	0.08 2.4' (0.73m)
12.0'	0.05 3.3' (1.00m)
15.0'	0.03 4.1' (1.25m)
18.0'	0.02 4.9' (1.49m)

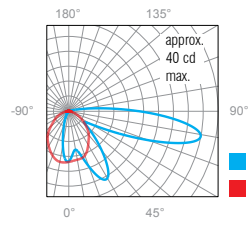
90° Spread: 76.2°

6W, 3000K 80+CRI

Polar Candela Distribution

Illuminance at a Distance

Lumen: 55.7lm



Center Beam FC	Beam Width
3.0'	1.17 4.7'(119mm)
6.0'	0.29 9.4'(239mm)
9.0'	0.13 14.1'(358mm)
12.0'	0.07 18.8'(478mm)
15.0'	0.05 23.5'(597mm)
18.0'	0.03 28.2'(716mm)

90° Spread: 76.2°