



10W Spotlight - Canopy Mount

# L75C4

## SPEC SHEET

**Application:** Interior directional light for wall, picture or signage illumination.

**Electrical:** 4 x 2.5W, 700mA LEDs.

LED Input Voltage: 12V DC

Power Consumption: 12W

Power Supply: (not included)

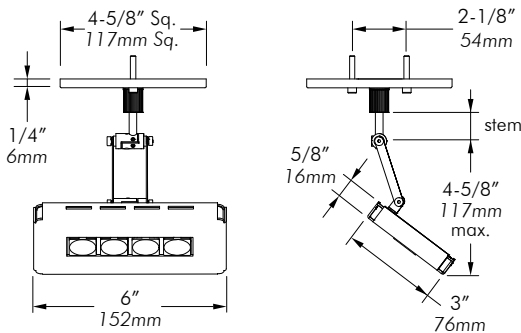
**DC** - Powered by remote 120V primary, 700mA driver. Recommended TLDAV100W15V. Dimmable with dimmable driver and controller, 0~10V dimming.

**Weight:** 0.57lbs (0.258kg).

**Material:** Anodized aluminum. RoHS compliant.

**Mounting:** 4-5/8" Sq. x 1/4" (117mm Sq. x 6mm) canopy. Mounts to standard octagonal box (not included).

**Approval:** Dry Locations. Approved to US and Canadian standards by CSA.



Type:

Project:

Modified:

Quantity:

Notes:

CODE	MOUNT	COLOR	BEAM	STEM	FINISH
L75	C4				MA
	C4 = 4-5/8" Sq. x 1/4" canopy	W27S = 2700K, std CRI W30S = 3000K, std CRI W20H = 2000K, high CRI	S = spot (12°) N = narrow flood (30°) F = flood (60°)	1 = 1" (25mm) stem X = custom stem	MA = matte clear anodized
<p><b>Note:</b> Standard CRI has a value of 75~82 while high CRI has 92.</p>					



t1.877.708.1184 f604.708.1185 www.mplighting.com  
16 West 4th Avenue, Vancouver BC V5Y 1G3, Canada

# L75C4

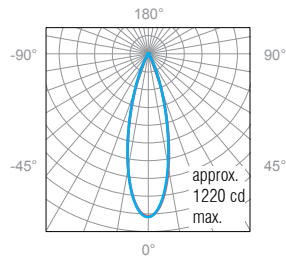
## SPEC SHEET

Lumen test results provided  
by LED chip manufacturer

### Photometric Data

**L75**  
30°  
3000K Std  
343 lm

#### Polar Candela Distribution



#### Illuminance at a Distance

	Center Beam FC	Beam Width	
4.0'	76.0	2.0'	2.1'
5.0'	48.6	2.6'	2.6'
6.0'	33.8	3.1'	3.1'
7.0'	24.8	3.6'	3.6'
8.0'	19.0	4.1'	4.1'
9.0'	15.0	4.6'	4.6'

0° Spread: 28.8°

90° Spread: 28.9°