

10W Spotlight - Single Rail Mount

L75SR

SPEC SHEET



Application: Interior directional light for wall, picture or signage illumination.

Electrical: 4 x 2.5W, 700mA LEDs.

LED Input Voltage: 12V DC

Power Consumption: 12W

Power Supply: (not included)

DC - Powered by remote 120V primary, 700mA driver. Recommended TLDAV100W15V. Dimmable with dimmable driver and controller, 0~10V dimming.

Weight: 0.57lbs (0.258kg).

Material: Anodized aluminum. RoHS compliant.

Mounting: Rotatable and easy to position. Designed for use on 12V MP single rail system (sold separately).

Approval: Dry Locations. Approved to US and Canadian standards by CSA.



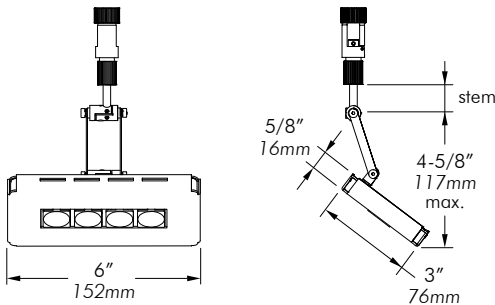
Type:

Project:

Modified:

Quantity:

Notes:



CODE	MOUNT	COLOR	BEAM	STEM	FINISH
L75	SR				MA

SR = single rail

W27S = 2700K, std CRI
 W30S = 3000K, std CRI
 W20H = 2000K, high CRI

S = spot (12°)
 N = narrow flood (30°)
 F = flood (60°)

1 = 1" (25mm) stem
 X = custom stem

MA = matte clear anodized

Note: Standard CRI has a value of 75~82 while high CRI has 92.



t1.877.708.1184 f604.708.1185 www.mplighting.com
 16 West 4th Avenue, Vancouver BC V5Y 1G3, Canada

L75SR

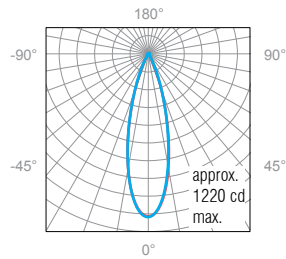
SPEC SHEET

Lumen test results provided
by LED chip manufacturer

Photometric Data

L75
30°
3000K Std
343 lm

Polar Candela Distribution



Illuminance at a Distance

	Center Beam FC	Beam Width	
4.0'	76.0	2.0'	2.1'
5.0'	48.6	2.6'	2.6'
6.0'	33.8	3.1'	3.1'
7.0'	24.8	3.6'	3.6'
8.0'	19.0	4.1'	4.1'
9.0'	15.0	4.6'	4.6'

■ 0° Spread: 28.8°
 ■ 90° Spread: 28.9°