

6W Spotlight - Canopy Mount

# L76C1

## SPEC SHEET



**Application:** Interior directional light for wall, picture or signage illumination.

**Electrical:** 6 x 1W, 350mA LEDs.

Input Voltage: 12V AC or 24V DC

Power Consumption: 8W

Power Supply: (not included)

**DC** - Powered by remote 24V DC driver. Recommended LED8W350L. Dimmable with 100W 24V driver and controller, 0~10V dimming. Consult factory.

**AC** - Powered by remote 120V primary, 12V secondary magnetic transformer. Recommended 12V AC magnetic transformer (not included). Consult factory for dimming option.

**Weight:** 0.57lbs (0.258kg).

**Material:** Anodized aluminum. RoHS compliant.

**Mounting:** Retrofit to existing standard octagonal box using custom mounting plate (included).

**Approval:** Dry locations. Approved to US and Canadian standards by CSA.



**Type:**

**Project:**

**Modified:**

**Quantity:**

**Notes: PLEASE READ** - When using a control system, consult dimming system manufacturer with minimum load before installing 12V AC transformer. Malfunction and damage to product due to improper dimming system installation or misuse will not be covered under warranty. Only DC Drivers are recommended for dimming systems. Consult MP Lighting for recommended drivers.

### Order Guide

Example: L76-C1M-W27S-S-1A-1-MA

CODE	MOUNT	COLOR	BEAM	INPUT VOLTAGE	STEM	FINISH
L76	C1M	-			-	MA

**C1M** = Ø2-3/8" x 1/4" canopy w/ retrofit mounting plate  
**W27S** = 2700K, std CRI  
**W30S** = 3000K, std CRI  
**W35S** = 3500K, std CRI  
**W41S** = 4100K, std CRI  
**W20H** = 2000K, high CRI  
**W30H** = 3000K, high CRI  
**S** = spot (12°)  
**N** = narrow flood (30°)  
**F** = flood (60°)  
**1A** = 12V AC  
**2D** = 24V DC  
**1** = 1" (25mm)  
**X** = custom  
**MA** = matte clear anodized

**Note:** Standard CRI has a value of 75--82 while high CRI has 92.



t1.877.708.1184 f604.708.1185 www.mplighting.com  
16 West 4th Avenue, Vancouver BC V5Y 1G3, Canada

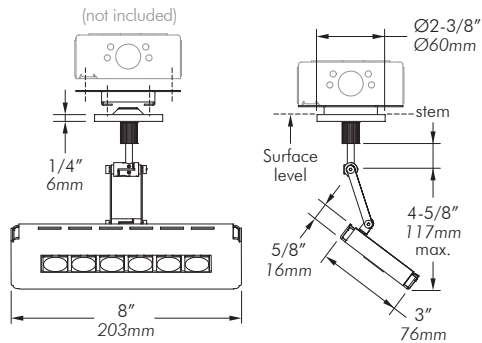
# L76C1

## SPEC SHEET

Lumen test results provided by  
MP Lighting integrating sphere

### Dimension

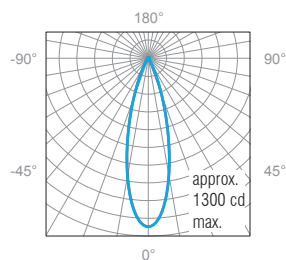
C1M  
(retrofit mounting plate)



### Photometric Data

**L76**  
30°  
3000K Std  
352 lm

#### Polar Candela Distribution



#### Illuminance at a Distance

	Center Beam FC	Beam Width	
4.0'	83.2	2.1'	2.1'
5.0'	53.2	2.6'	2.6'
6.0'	37.0	3.1'	3.1'
7.0'	27.2	3.6'	3.6'
8.0'	20.8	4.1'	4.1'
9.0'	16.4	4.6'	4.6'

■ 0° Spread: 28.9°     ■ 90° Spread: 28.8°



t 1.877.708.1184 f 604.708.1185 www.mplighting.com  
16 West 4th Avenue, Vancouver BC V5Y 1G3, Canada

**Note:** Various operating factors may cause differences between lab and field results. As specifications may change without notice, please refer to the LED Lamp Index located in the "Downloads" section of each product webpage for the most current information.