

L920

EXTERIOR

Path Light | For landscape driveways, pathways and gardens

- Wet, Damp, and Dry location



Ordering Information

Clear Form

Date : _____ Quantity : _____

Project : _____ Note : _____

Type : _____

Specifications

Luminaire | Example Code: L920-B3-PS-4-W30H-W-1-BA

Product	Canopy	Mounting	Version	CCT & CRI ²	Beam Angle	Post Length	Finish
L920	B2	MB	4		W		BA
	B2	MB mounting bracket	4 4W	W22S 2200K 80+ W27H 2700K 90+ W30H 3000K 90+ W35H 3500K 90+ W41H 4100K 90+	W wide 120°	1 1' (305mm) 2 2' (610mm) 3 3' (915mm)	BA black anodized
Product	Canopy	Mounting ¹ (optional for B3)	Version	CCT & CRI ²	Beam Angle	Post Length	Finish
L920			4		W		BA
	B3 B4	PS pipe stake NP no pipe (pipe supplied by others)	4 4W	W22S 2200K 80+ W27H 2700K 90+ W30H 3000K 90+ W35H 3500K 90+ W41H 4100K 90+	W wide 120°	1 1' (305mm) 2 2' (610mm) 3 3' (915mm)	BA black anodized

System Components (Ordered Separately)

Remote Driver : _____

* Consult MP Lighting Website or Factory.

Important Notes

Specification

- Default pipe stake length: 18" (457mm), field-cuttable
- Refer to pg.2 - for Light Quality & Colour Consistency details.

Warranty Notes & Disclaimer

Malfunction and damage to product due to incompatible dimming system or misuse will not be covered under warranty. Consult MP Lighting for recommended drivers. If the fixture has an option to be installed with a dimming control system, consult a dimming system manufacturer with minimum load before installing. MP Lighting reserves the right, at its sole discretion, at any time and without notice, to make design changes to any of our products. Consult MP Lighting website for most updated documentation.

L920

EXTERIOR

Path Light | For landscape driveways, pathways and gardens

- Wet, Damp, and Dry location



Performance

Wattage	Forward Current	Power Consumption Budget per fixture (including driver)	LED output (Source)	Fixture Output (Delivered)
4W	350mA	4.0W	440 lm	275.4 lm

Application

Environment	Dry / Damp / Wet Location approved. IP 66.
Mounting	B2: mounts to surface with MB (mounting brackets) B3: pushed into ground with PS (pipe stake, optional) or mounts with 1-1/2" OD standard pipe (supplied by others) B4: mounts to standard 4" octagonal back box (supplied by others) or MP Lighting back box (EBX-OCT1, ordered separately)

Electrical

Electrical	Remote LED drivers (120-277V AC input, constant current output): Fixtures to be wired in series.
Control	On/off control Dimming: ELV or 0-10V dimming with appropriate drivers Other options (consult factory): TRIAC/MLV, DMX, DALI, Casambi, Power over Ethernet

Luminaire Construction

LED Light Source	W22S = CCT: 2200K, CRI (Ra): 80+, Colour Consistency: 3SDCM W27H = CCT: 2700K, CRI (Ra): 90+, Colour Consistency: 3SDCM W30H = CCT: 3000K, CRI (Ra): 90+, Colour Consistency: 3SDCM W35H = CCT: 3500K, CRI (Ra): 90+, Colour Consistency: 3SDCM W41H = CCT: 4100K, CRI (Ra): 90+, Colour Consistency: 3SDCM Contact factory for 2SDCM option
Standard Compliance	✓WELL standard – Feature 58: Color Quality
Material	Fixture: machined marine-grade aluminum
Supplied with	Standard installation housing: Comes with a canopy and a mounting bracket or a pipe stake
Warranty & LED Life	5 years limited warranty Estimated useful life of LED is 50,000 hours.

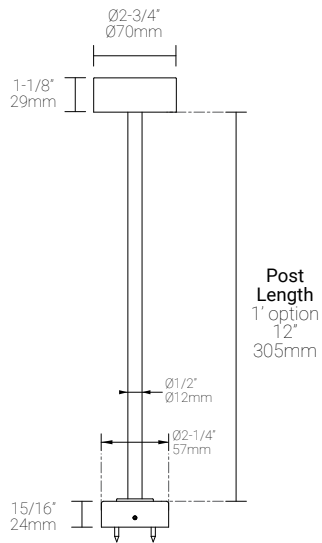
Ordered Separately

System Components	Power supplies: remote driver Please consult factory or visit Recommended Drivers for available driver options.
-------------------	---

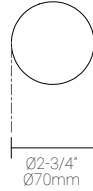
Mounting Options & Dimensions

LED Fixture Dimensions | shown with B2 canopy & MB (mounting brackets)

Fixture shown with B2 & MB



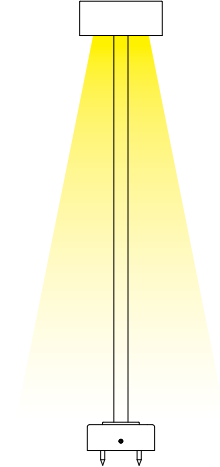
Top View



3D View

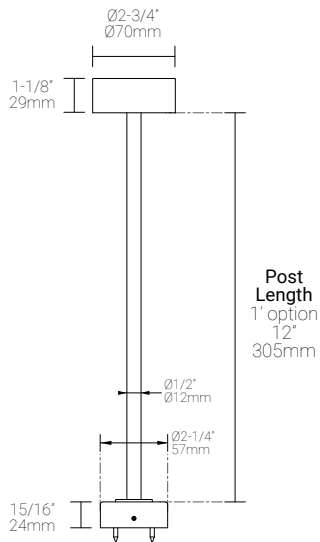


Beam

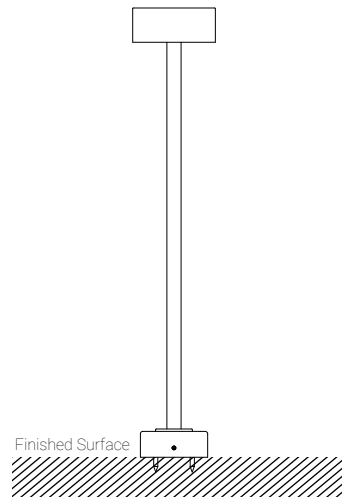


Surface-mount Installation | shown with B2 canopy & MB (mounting brackets)

Fixture shown with B2 & MB



Surface-mounted with MB, mounting brackets



Mounting Options & Dimensions

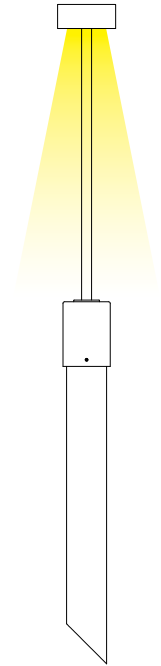
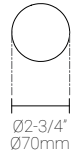
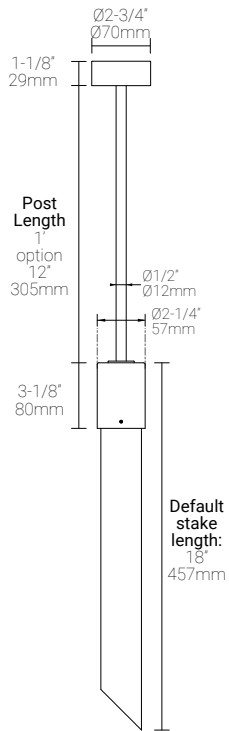
LED Fixture Dimensions | shown with B3 canopy & PS (pipe stake, optional)

Fixture shown with B3 & PS

Top View

3D View

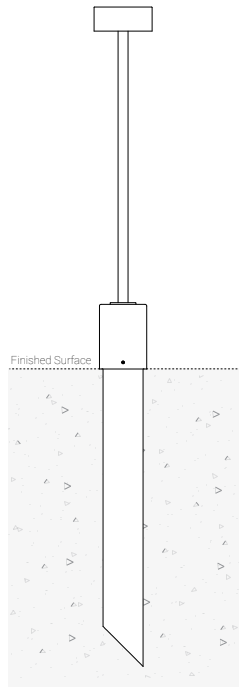
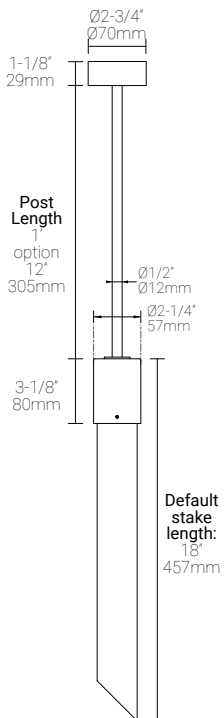
Beam



Ground Installation | shown with B3 canopy & PS (pipe stake, optional)

Fixture shown with B3 & PS

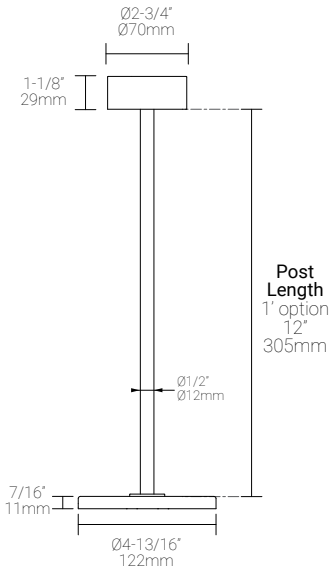
Ground Installation:
pipe stake pushed
into soil



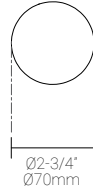
Mounting Options & Dimensions

LED Fixture Dimensions | shown with B4 canopy

Fixture shown with B4



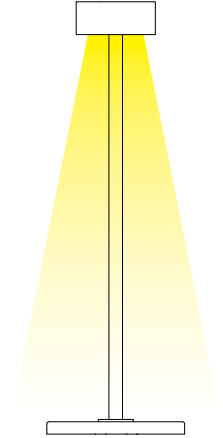
Top View



3D View

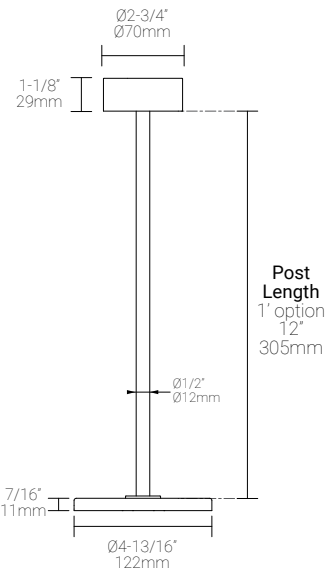


Beam

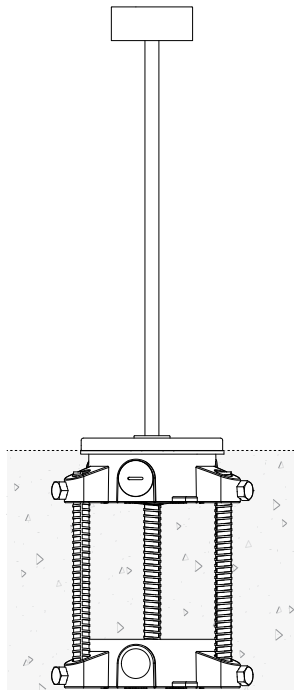


Ground Installation | shown with B4 canopy & MP Lighting Back Box | Order Code: EBX-OCT1, ordered separately

Fixture shown with B4

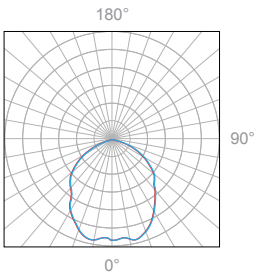


Ground Installation:
B4 canopy mounted to Back box

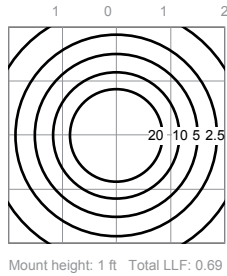


Photometric | 4W, 3000K, 90+ CRI

Polar Candela Distribution



Isofootcandle Plot



Illuminance at a Distance

Distance		Center Beam fc	Beam Width			
0.5ft	0.15m	412fc	1.2ft	0.37m	1.3ft	0.40m
1.0ft	0.30m	103fc	2.5ft	0.76m	2.5ft	0.76m
1.5ft	0.46m	45.8fc	3.7ft	1.13m	3.8ft	1.16m
2.0ft	0.61m	25.8fc	4.9ft	1.49m	5.1ft	1.55m
2.5ft	0.76m	16.5fc	6.2ft	1.89m	6.4ft	1.95m
3.0ft	0.91m	11.5fc	7.4ft	2.26m	7.6ft	2.32m

Delivered Lumen: 275.4 lm
■ Vertical Beam Spread: 102.1°
■ Horizontal Beam Spread: 102.7°

Appendix

Finish Options



BA black anodized
 *shown with B2 canopy

Canopy Options - will be black anodized



B2



B3



B4