

Electronic Ballast For Metal Halide Lamps

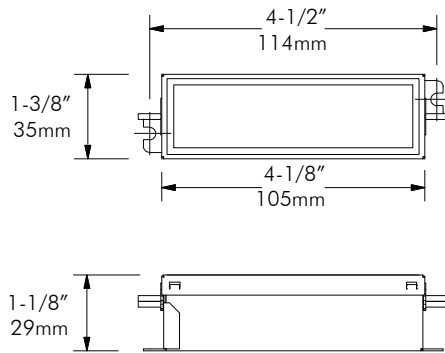
CMH120E20

SPEC SHEET



Features:

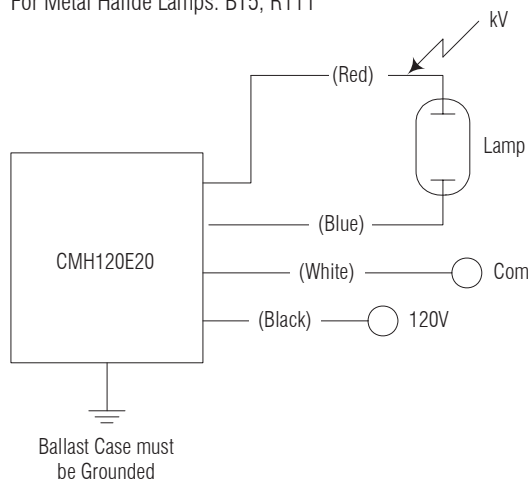
- Compact and lightweight housing.
- Energy efficient eHID technology lasts up to three times longer than halogen and up to five times longer than incandescent alternatives.
- Enhanced safety features include automatic lamp power control and lamp monitoring.
- Incorporation of lamp end-of-life detection with an automatic ballast shutdown feature.



AC Input Voltage:	120V , 50/60Hz
AC Input Current:	0.2A Max
Output Wattage:	22W Max
End-of-Lamp-Life Protection:	Yes
Minimum Starting Temperature:	-20°C (-4°F)
Maximum Case Temperature:	90°C (194°F)
Humidity (Non-Condensing):	5% ~ 85%
Case Material:	Black Steel Casing
Weight:	181g (0.4lbs)
Approval:	Outdoor rated. Approved to UL by CSA/CUS UL Listed



For Metal Halide Lamps: BT5, R111



Note: Consult factory for wiring length and details.

ORDER CODE
CMH120E20

[Project]

[Quantity]

[Notes]



t 604.708.1184 f 604.708.1185 www.mplighting.com
16 West 4th Avenue, Vancouver BC V5Y 1G3, Canada