

EULED20W350iP-01

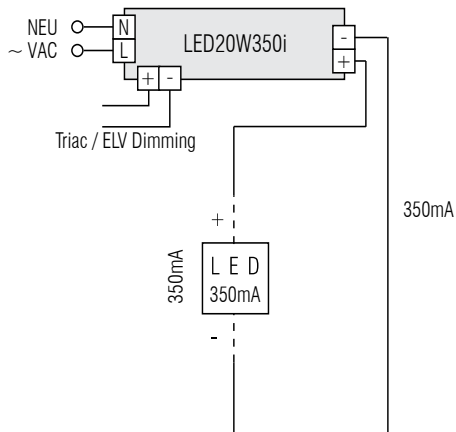
EULED20W350iP-01B with Enclosure



AC Input Voltage:	220-240V ± 10%, 50/60Hz
AC Output Voltage:	9V-42V DC
Output Current:	350mA constant
Output Power:	14W
Power Factor:	>0.9
Dimming Function:	Triac or ELV
Weight:	120g (0.27lb)
Dimension (mm):	185mm x 43mm x 29mm
Approval:	SELV, RoHS, CE

* Consult factory for wiring length and details.

Wiring:



4~11
350mA LEDs

LED
350mA

 = 350mA LED Lighting Fixture

ORDER CODE

ENCLOSURE

EULED20W350iP-01

B

B = drive enclosure
(6-1/4" x 5" x 2")

Type:

Project:

Modified:

Quantity:

Notes: