

# EULED20W700iP-01

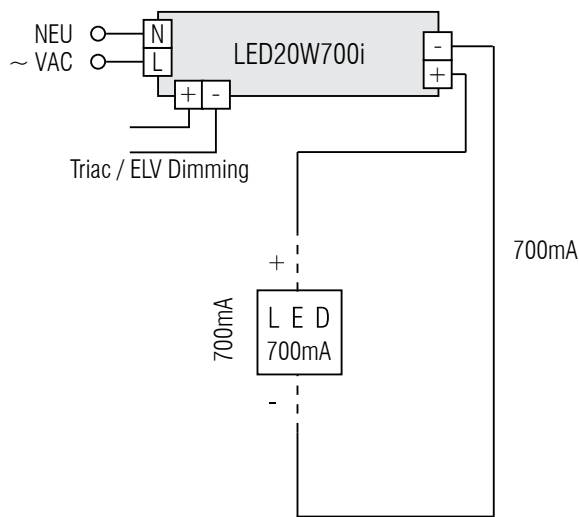
## EULED20W700iP-01B with Enclosure



<b>AC Input Voltage:</b>	220-240V ± 10%, 50/60Hz
<b>AC Output Voltage:</b>	9V-28V DC
<b>Output Current:</b>	700mA constant
<b>Output Power:</b>	20W
<b>Power Factor:</b>	>0.9
<b>Dimming Function:</b>	Triac or ELV
<b>Weight:</b>	120g (0.271lb)
<b>Dimension (mm):</b>	185mm x 43mm x 29mm
<b>Approval:</b>	SELV, RoHS, CE

\* Consult factory for wiring length and details.

**Wiring:**



4~7  
700mA LEDs

L E D  
700mA

= 700mA LED Lighting Fixture

ORDER CODE

ENCLOSURE

**EULED20W700iP-01**

**B**

**B** = drive enclosure  
(6-1/4" x 5" x 2")

**Type:**

**Project:**

**Modified:**

**Quantity:**

**Notes:**