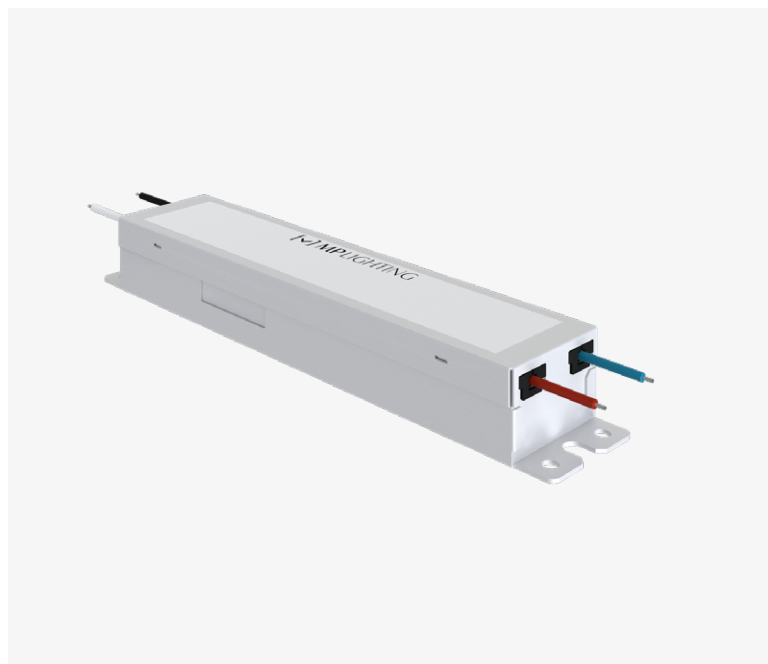


LED100W24VP-01

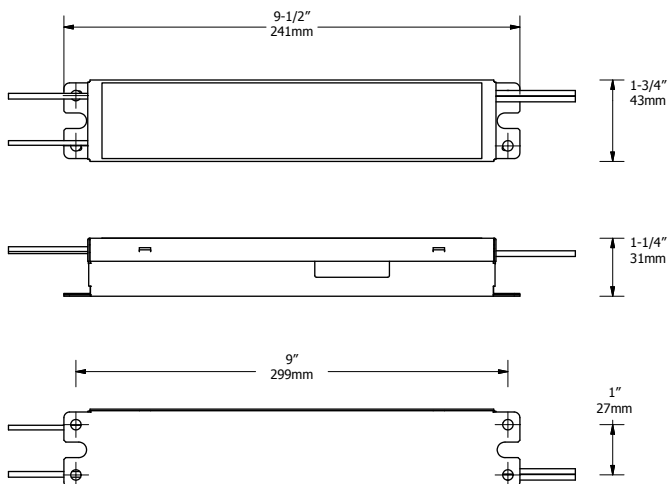
LED100W24VP-01B with Enclosure



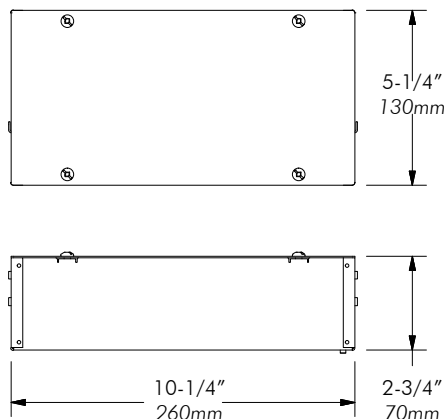
AC Input Voltage:	120V
DC Output Voltage:	24V Constant Voltage
Minimum Load:	5 W
Output Wattage:	96W max.
Power Factor:	0.9 min.
Typical Efficiency:	80% (tested in lab)
Short Circuit Protection:	Yes
Overload Protection:	Yes
Dimming Function:	ELV Dimmable
Operating Temperature:	-20°C~40°C (-4°F~104°F)
Max. Case Temperature:	80°C (176°F)
Case Material:	Metal
Weight:	612 g (1.35 lbs)
Approval:	Dry locations. UL Recognized.

* Consult factory for wiring length and details. Use with EBX-260-ZP Enclosure. Indoor Rated.

Driver Dimension:



Enclosure Deimension:



Order Code	Enclosure
LED100W24VP-01	B
B = drive enclosure (10-1/4" X 5-1/4" X 2-3/4" or 260mm X 130mm X 70mm)	

Order Information

Type: _____

Project: _____

Modified: _____

Quantity: _____

Notes: _____