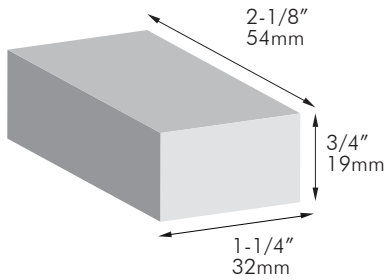
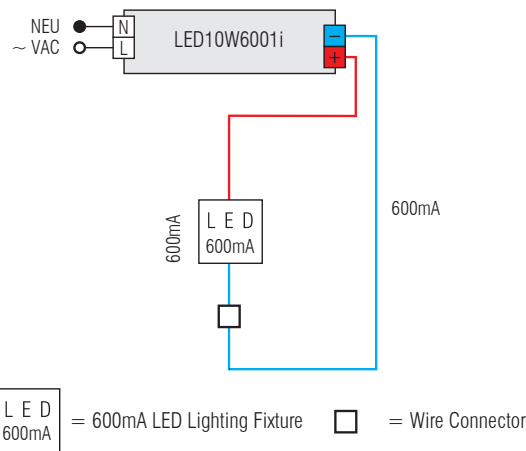




Dimension:



Driver Diagram:



For use with one 600mA (6W or 8W) LED light fixture.

Specification Sheet

LED10W6001i

10W LED Driver

Features:

- UL Class 2, limited output and current with isolation for safe operation.
- Suitable for damp locations.

AC Input Voltage:	120V, 60Hz
DC Output Voltage:	8-13VDC
DC Output Current:	600mA Constant
Output Wattage:	10W Max
Power Factor:	0.90 Min
Typical Efficiency:	80%
Short Circuit Protection:	Yes
Overload Protection:	Yes
Over-voltage Protection:	Yes
Dimming Function:	Yes, Triac ELV Phase Dimmable.
Min. Operating Temperature:	-20°C (-4°F)
Max. Case Temperature:	80°C (176°F)
Total Harmonic Distortion:	20% Max
Case Material:	Aluminum
Weight:	65g (0.143 lbs)
Approval:	UL



Note: Consult factory for maximum wiring length.

Caution: Do not install on-off switch at the output (load) side of a constant current LED driver as it will damage the fixture(s). Warranty will be void on both driver and fixture(s).

[Project]

[Quantity]

[Notes]



t 604.708.1184 f 604.708.1185 www.mplighting.com
16 West 4th Avenue, Vancouver BC, Canada, V5Y 1G3