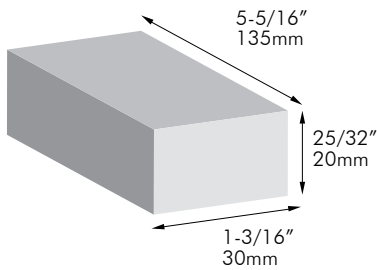


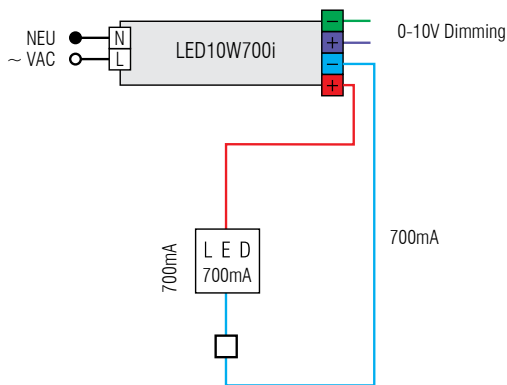
# LED10W700i



Dimension:



Driver Diagram:



LED 700mA = 700mA LED Lighting Fixture    □ = Wire Connector

## 10W LED Driver

**Features:**

- Class 2 Power Supply
- Suitable for indoor environments

AC Input Voltage:	100-240V AC
Frequency:	50/60 Hz
DC Output Voltage:	3-14VDC
DC Output Current:	700mA Constant
Output Wattage:	10W Max
Typical Efficiency:	80%
Short Circuit Protection:	Yes
Overload Protection:	Yes
Over-heat Protection:	Yes
Dimming Function:	Yes, 0-10V Dimmable.
Min. Operating Temperature:	-30°C (-22°F)
Max. Case Temperature:	80°C (176°F)
Case Material:	Full protective plastic
Weight:	80g (0.176 lbs)



**Note: Consult factory for maximum wiring length.**

**Caution: Do not install on-off switch at the output (load) side of a constant current LED driver as it will damage the fixture(s). Warranty will be void on both driver and fixture(s).**

[ Project ]

[ Quantity ]

[ Notes ]