

Specification Sheet

LED12W350iP-01 LED12W350iP-01B with Enclosure



CONSTANT CURRENT OUTPUT LED DRIVER

Features:

- Protection: Short circuit and overload protection
- Over Temperature Protection
- Suitable for dry and damp locations.

- AC Input Voltage:** 120 VAC ± 10% Dedicated. 50/60Hz
- AC Input Frequency:** 50/60Hz
- DC Output Voltage:** 6 ~ 32 VDC
- DC Output Current:** 350mA Constant
- Output Wattage:** 12W Max
- Short Circuit Protection:** Yes
- Overload Protection:** Yes
- Thermal Protection:** Yes
- Dimming Function:** Dimmable with ELV dimmer (trailing edge)
- maximum Case Temperature:** 90°C (194°F)
- Case Material:** Polycarbonate
- Weight:** 0.33lbs (150g).
- Approval:** UL



Dry + Damp location.

Note: Consult factory for maximum wiring length.

Caution: Do not install on-off switch at the output (load) side of a constant current LED driver as it will damage the fixture(s). Warranty will be void on both driver and fixture(s).

***USE WITH EBX-160-ZP ENCLOSURE**

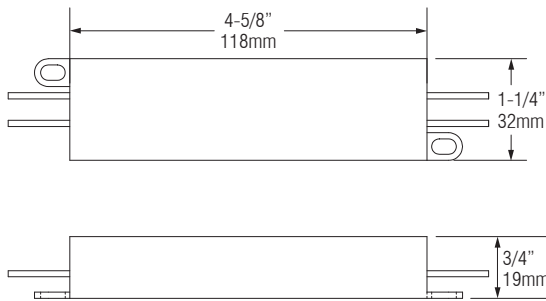
ORDER CODE ENCLOSURE

LED12W350iP-01

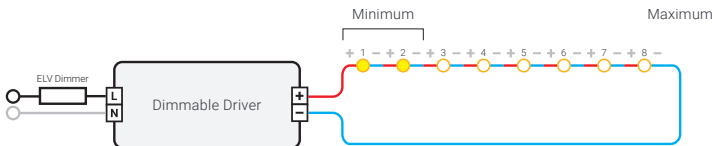
B

B = drive enclosure
(6-1/4" x 5" x 2")

Dimension:



Driver Diagram:



● 350mA LED Lighting Fixture

[Project]

[Quantity]

[Notes]



t 604.708.1184 f 604.708.1185 www.mplighting.com
16 West 4th Avenue, Vancouver BC, Canada, V5Y 1G3