

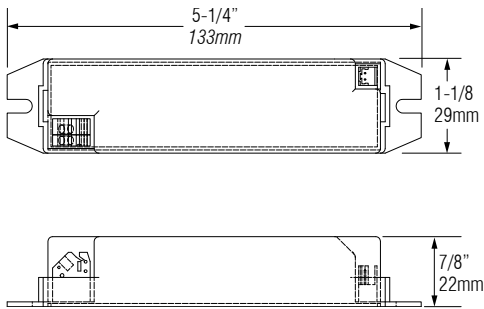
Specification Sheet

# LED12W700iP-01

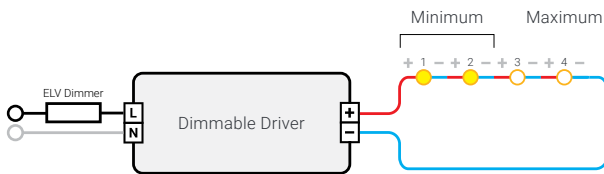
## LED12W700iP-01B with Enclosure



Dimension:



Driver Diagram: 2-4 2.5W fixtures wired in series.



● 700mA LED Lighting Fixture

CONSTANT CURRENT OUTPUT LED DRIVER

**Features:**

- Protection: Short circuit and overload protection
- Over Temperature Protection
- Suitable for dry and damp locations

<b>AC Input Voltage:</b>	120 VAC $\pm$ 10% Dedicated
<b>AC Input Frequency:</b>	50/60Hz
<b>DC Output Voltage:</b>	5-17 VDC
<b>DC Output Current:</b>	700mA Constant
<b>Output Wattage:</b>	12W Max.
<b>Short Circuit Protection:</b>	Yes
<b>Overload Protection:</b>	Yes
<b>Thermal Protection:</b>	Yes
<b>Dimming Function:</b>	ELV dimmable (trailing edge)
<b>Maximum Case Temperature:</b>	90°C (194°F)
<b>Case Material:</b>	Polycarbonate
<b>Weight:</b>	0.33lbs (150g).
<b>Approval:</b>	UL

CE cULus Dry + Damp location

**Note: Consult factory for maximum wiring length.**

**Caution: Do not install on-off switch at the output (load) side of a constant current LED driver as it will damage the fixture(s). Warranty will be void on both driver and fixture(s).**

**\*USE WITH EBX-160-ZP ENCLOSURE**

ORDER CODE      ENCLOSURE

**LED12W700iP-01**

**B**

**B = drive enclosure  
(6-1/4" x 5" x 2")**

[ Project ]

[ Quantity ]

[ Notes ]

**[✓] MPLIGHTING®**

t 604.708.1184 f 604.708.1185 www.mplighting.com  
16 West 4th Avenue, Vancouver BC, Canada, V5Y 1G3