

LED18W350iZ-01 LED18W350iZ-01B with Enclosure

Constant Current LED Driver

Features:

- Suitable for dry and damp locations
- High efficiency
- UL Class 2
- 0-10V dimmable

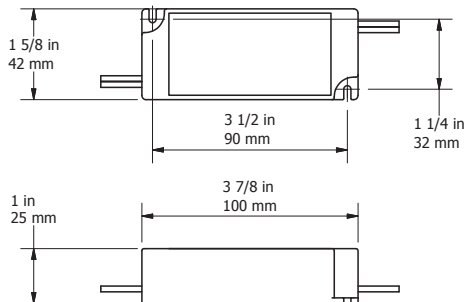
AC Input Voltage:	120~277V, 50/60Hz
DC Output Voltage:	50V Max
DC Output Current:	350mA Constant
Output Wattage:	18W Max
Power Factor:	>0.9 (12-18W)
Typical Efficiency:	80%
Short Circuit Protection:	Yes (Resettable)
Overload Protection:	Yes (Resettable)
Dimming Function:	0-10V Dimmable
Dimmable:	10% (down to)
Operating Temperature:	-20 ~ 60°C (-68 ~ 140°F)
Storage Temperature:	-20 ~ 70°C (-68 ~ 158°F)
Case Temperature:	80°C (176°F)
Case Material:	Plastic
Weight:	140g (0.31 lb)
Approval:	UL Class 2

Order Information

Type:
Project:
Modified:
Quantity:
Notes:



Dimensions



Note: Consult factory for maximum wiring length.

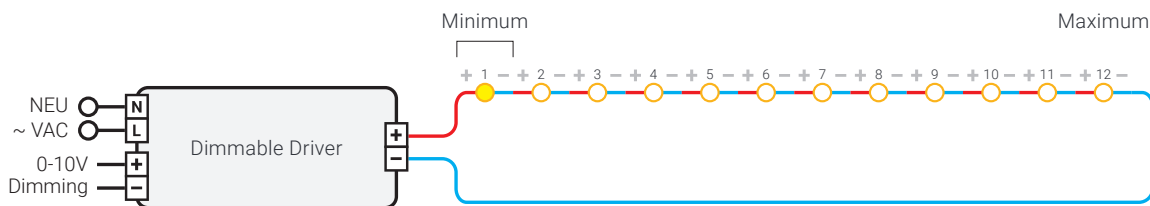
Caution: Do not install on-off switch at the output (load) side of a constant current LED driver as it will damage the fixture(s). Warranty will be void on both driver and fixture(s).

***USE WITH EBX-160-ZP ENCLOSURE**

ORDER CODE	ENCLOSURE
LED18W350iZ-01	B
	B = drive enclosure (6-1/4" x 5" x 2")

Wiring Diagram

Dimming | For use with 1-12 x 1 watt LED lighting fixtures (350mA), wired in series.



● 350mA LED Lighting Fixture