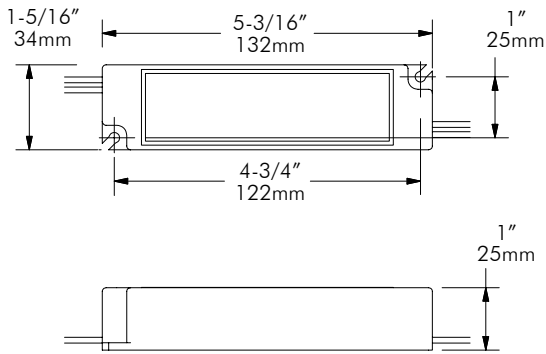
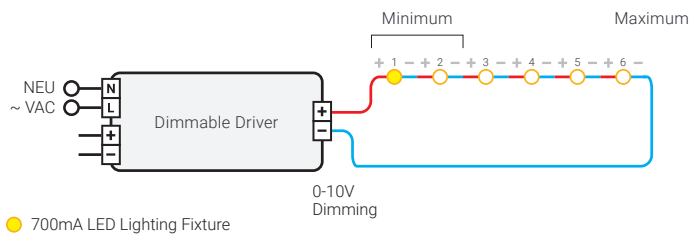


Dimension:



Driver Diagram:



Specification Sheet

LED18W700iZ-01

LED18W700iZ-01B with Enclosure

CONSTANT CURRENT LED DRIVER

AC Input Voltage:	120-277V, 50/60Hz
DC Output Voltage:	25V MAX
DC Output Current:	700mA Constant
Output Wattage:	18W Max
Power Factor:	0.90 Min
Short Circuit Protection:	Yes
Overload Protection:	Yes
Over-voltage Protection:	Yes
Dimming Function:	Yes (0-10V Dimming)
Maximum Case Temperature:	80°C(176°F)
Approval:	UL Class2 & Dry and Damp Location

Note: Consult factory for maximum wiring length.

**Caution: Do not install on-off switch at the output (load) side of a constant current LED driver as it will damage the fixture(s).
Warranty will be void on both driver and fixture(s).**

***USE WITH EBX-160-ZP ENCLOSURE**

ORDER CODE	ENCLOSURE
LED18W700iZ-01	B
	B = drive enclosure (6-1/4" x 5" x 2")

Type:
Project:
Modified:
Quantity:
Notes: