



LED36W700iP-01 LED36W700iP-01B with Enclosure

Features:

- Damp and dry locations
- High efficiency
- UL Class 2
- ELV Phase dimmable on 120V

AC Input Voltage	120~277V, 50/60Hz
DC Output Voltage	4-52V
DC Output Current	700mA Constant
Output Wattage	36W Max
Power Factor	0.90min
Typical Efficiency	80%
Short Circuit Protection	Yes
Overload Protection	Yes
Over-voltage Protection	Yes
Dimming Function	ELV Dimmable on 120V only (10V DC min for dimming) *4 fixtures minimum
Dimmable(trailing edge)	10% ~ 100%
Ambient Temperature	-30°C (-22°F) min.
Case Temperature	80°C (176°F) max.
Case Material	Aluminum
Weight	385g (0.85lb)

Order Information

Type: _____

Project: _____

Modified: _____

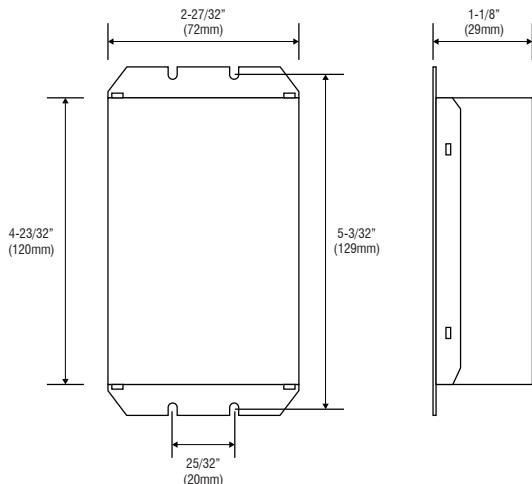
Quantity: _____

Notes: _____

* Consult factory for wiring length and details.

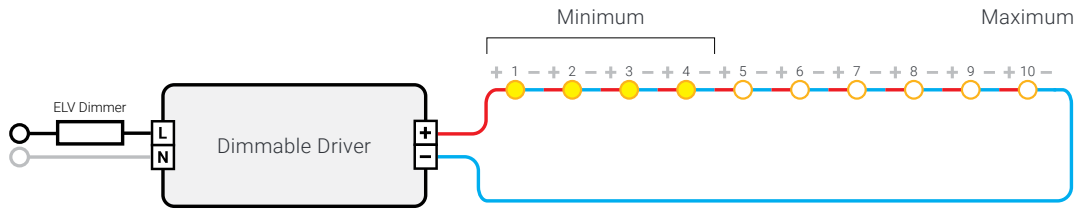
Order Code	Enclosure
LED36W700iP-01	B
	B = drive enclosure (6-1/4" x 5" x 2")

Dimensions



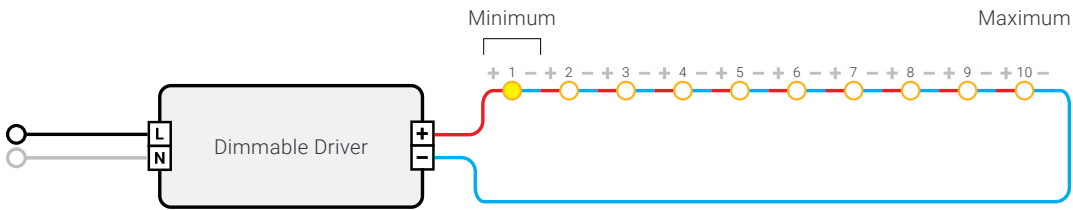
Wiring Diagram

Dimming | For use with 4-10 x 2.5watt LED lighting fixtures (700mA), wired in series.



● 700mA LED Lighting Fixture

Non-Dimming | For use with 1-10 x 2.5watt LED lighting fixtures (700mA), wired in series.



● 700mA LED Lighting Fixture