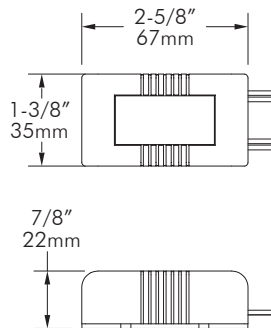
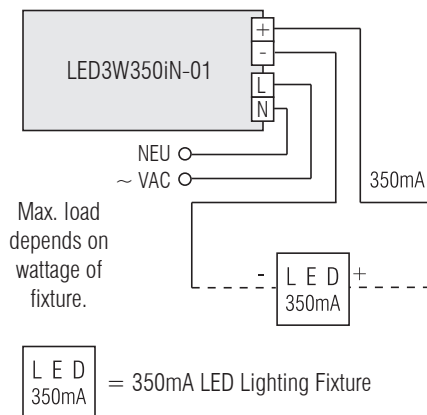


Dimension:



Driver Diagram:



Specification Sheet

LED3W350iN-01

LED3W350iN-01B with Enclosure

CONSTANT CURRENT LED DRIVER

Features:

- Compact size that maximizes design flexibility.
- 110V, 220V, 240V full range AC input.
- Tight regulated constant current output to maximize LED performance.

AC Input Voltage:	100 ~ 240V, 50/60Hz
DC Output Voltage:	3 ~ 12V
DC Output Current:	350mA Constant
Output Wattage:	3.5W Max
Typical Efficiency:	60%
Short Circuit Protection:	Yes
Overload Protection:	Yes
Dimming Function:	No
Operating Temperature:	-20 ~ 60°C (-4 ~ 140°F)
Maximum Case Temperature:	65°C (149°F)
Humidity (Non-Condensing):	5% ~ 95%
Case Material:	Non Conductive White Plastic
Weight:	89.5g (0.20 lbs)
Approval:	UL



Note: Consult factory for maximum wiring length.

Caution: Do not install on-off switch at the output (load) side of a constant current LED driver as it will damage the fixture(s). Warranty will be void on both driver and fixture(s).

***USE WITH EBX-160-ZP ENCLOSURE**

ORDER CODE	ENCLOSURE
LED3W350iN-01	B
	B = drive enclosure (6-1/4" x 5" x 2")

[Project]

[Quantity]

[Notes]



t 604.708.1184 f 604.708.1185 www.mplighting.com
16 West 4th Avenue, Vancouver BC, Canada, V5Y 1G3