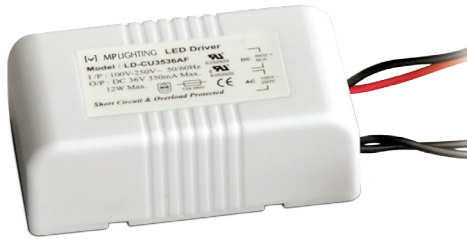


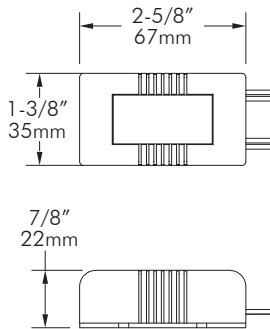
Specification Sheet

# LED8W350LB LED8W350L

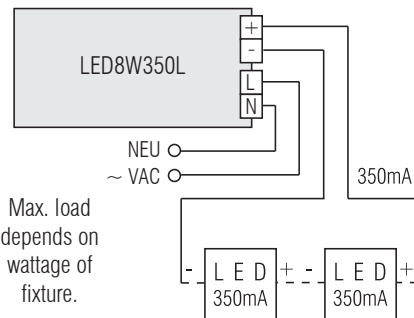
## HIGH POWER CONSTANT CURRENT LED DRIVER



Dimension:



Driver Diagram:



Minimum 2  
350mA LEDs

LED 350mA = 350mA LED Lighting Fixture

Maximum 7  
1 watt 350mA  
wired in series

**Features:**

- Compact size that maximizes design flexibility.
- 110, 220, 240 full range AC input.
- Tight regulated constant current output to maximize LED performance.

AC Input Voltage:	100 ~ 240V, 50/60Hz
DC Output Voltage:	3 ~ 36V
<b>DC Output Current:</b>	<b>350mA Constant</b>
Output Wattage:	8W Max
Typical Efficiency:	68%
Short Circuit Protection:	Yes
Overload Protection:	Yes
Dimming Function:	No
Operating Temperature:	-20 ~ 60°C (-4 ~ 140°F)
Maximum Case Temperature:	65°C (149°F)
Humidity (Non-Condensing):	5% ~ 95%
Case Material:	Non Conductive White Plastic
Weight:	89.5g (0.20 lbs)
Approval:	UL



**Note: Consult factory for maximum wiring length.**

**Caution: Do not install on-off switch at the output (load) side of a constant current LED driver as it will damage the fixture(s). Warranty will be void on both driver and fixture(s).**

**\*USE WITH EBX-160-ZP ENCLOSURE**

ORDER CODE	ENCLOSURE
<b>LED8W350L</b>	<b>B</b>
	<b>B</b> = drive enclosure (6-1/4" x 5" x 2")

[ Project ]

[ Quantity ]

[ Notes ]



t 604.708.1184 f 604.708.1185 www.mplighting.com  
16 West 4th Avenue, Vancouver BC, Canada, V5Y 1G3