

Specification Sheet

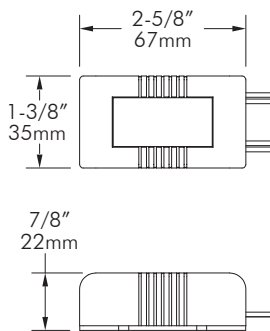
LED9W700iN-01

LED9W700iN-01B with Enclosure

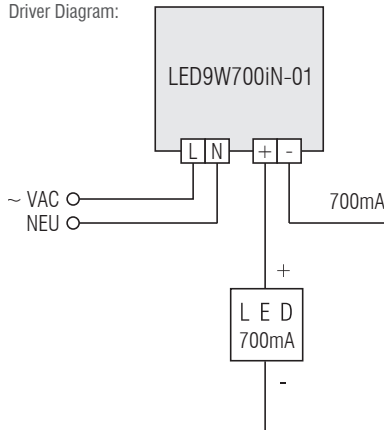
CONSTANT CURRENT LED DRIVER



Dimension:



Driver Diagram:



Max. load depends on wattage of fixture.

LED 700mA = 700mA LED Lighting Fixture
For 1-3 2.5 watt LED fixtures wired in series.

Features:

- Compact size that maximizes design flexibility.
- 110, 220, 240 full range AC input.
- Tight regulated constant current output to maximize LED performance.

AC Input Voltage:	100 ~ 240V, 50/60Hz
DC Output Voltage:	3 ~ 21V
DC Output Current:	700mA Constant
Output Wattage:	9W Max
Short Circuit Protection:	Yes
Overload Protection:	Yes
Dimming Function:	No
Operating Temperature:	-10 ~ 40°C (-14 ~ 104°F)
Maximum Case Temperature:	65°C (149°F)
Humidity (Non-Condensing):	5% ~ 95%
Case Material:	Non Conductive White Plastic
Weight:	0.20lbs (89.5g)
Approval:	UL



Note: Consult factory for maximum wiring length. The power to the driver must be off while wiring LED fixtures to drivers.

Caution: Do not install on-off switch at the output (load) side of a constant current LED driver as it will damage the fixture(s).
Warranty will be void on both driver and fixture(s).

***USE WITH EBX-160-ZP ENCLOSURE**

ORDER CODE	ENCLOSURE
LED9W700iN-01	B
	B = drive enclosure (6-1/4" x 5" x 2")

[Project]

[Quantity]

[Notes]



t 604.708.1184 f 604.708.1185 www.mplighting.com
16 West 4th Avenue, Vancouver BC, Canada, V5Y 1G3