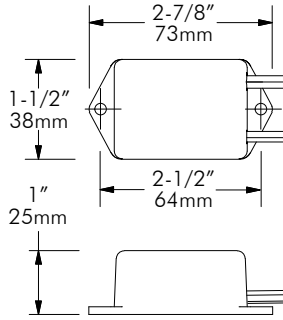
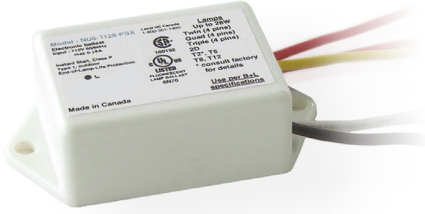
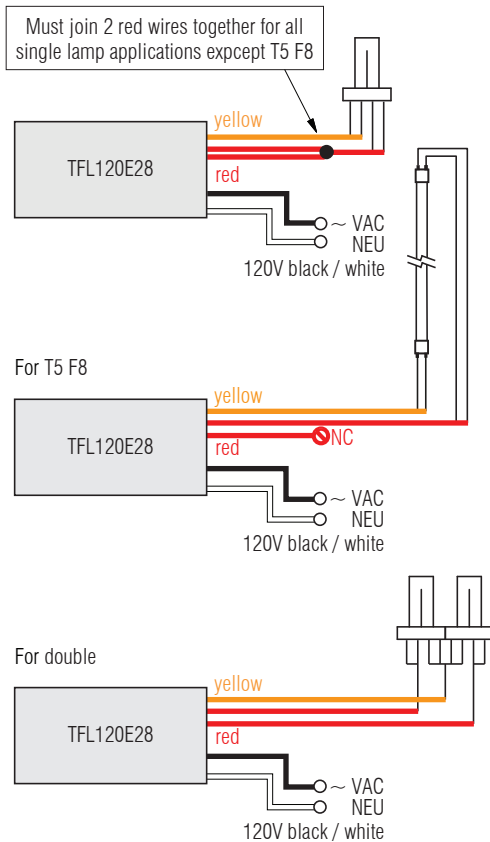


TFL120E28

SPEC SHEET



For PL TWIN, QUAD or TRIPLE 4 pins lamps or 2D, T5, T8 or T12



Features:

- UL Class P, Compact size that maximizes design flexibility.
- Instant start, choice of maximum intensity or Hi-Low step dimming models.
- End-of-lamp-life auto reset protection.
- Protection against defective or no lamp.
- Can be relamped without power interruption.

| | |
|------------------------------|---|
| AC Input Voltage: | 120V, 50/60Hz |
| AC Input Current: | 0.28A Max |
| Output Wattage: | 28W Max |
| End-of-Lamp-Life Protection: | Yes |
| Flicker-free: | Yes |
| Remote Mounting: | 4.6m |
| Operating Temperature: | -10 ~ 40°C (14 ~ 104°F) |
| Maximum Case Temperature: | 70°C (158°F) |
| Humidity (Non-Condensing): | 5% ~ 85% |
| Case Material: | Non Conductive White Plastic |
| Weight: | 78g (0.17lbs) |
| Approval: | IP66 outdoor rated. Approved to UL by CSA UL Listed |



* Consult factory for maximum wiring length.

Ordering:

TFL120E28

code

[Project]

[Quantity]

[Note]



16 W 4TH AVE VANCOUVER BC V5Y 1G3 CANADA
T 604 708 1184 F 604 708 1185 MPLIGHTING.COM