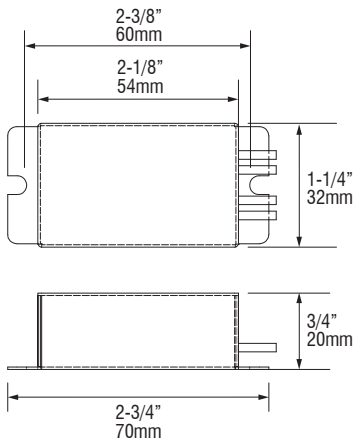


# TLW120E75

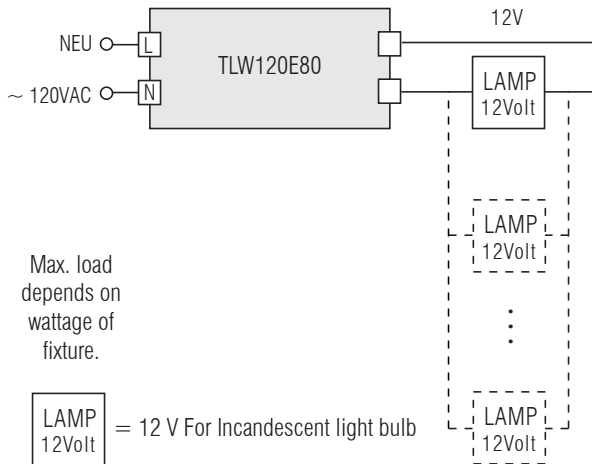
## REMOTE ELECTRONIC TRANSFORMER



Dimension:



Driver Diagram:



**Features:**

- Operate Multiple MR16 & MR11 Lamps
- Short Circuit, Overload & Thermal Protection
- Solid State Electronics

<b>AC Input Voltage:</b>	120V ± 10%, 50/60Hz
<b>AC Output Voltage:</b>	12V
<b>AC Output Current:</b>	0.6AMP
<b>Output Wattage:</b>	75W
<b>Short Circuit Protection:</b>	Yes
<b>Overload Protection:</b>	Yes
<b>Thermal Protection:</b>	Yes
<b>Dimming Function:</b>	Yes
<b>Maximum Case Temperature:</b>	50°C (122°F)
<b>Case Material:</b>	Aluminum, Waterproof Potting
<b>Weight:</b>	74g (0.16lb)
<b>Approval:</b>	UL recognized



**Note: Consult factory for maximum wiring length.**

ORDER CODE

**TLW120E75**

[ Project ]

[ Quantity ]

[ Notes ]

