

TLW120MT050U

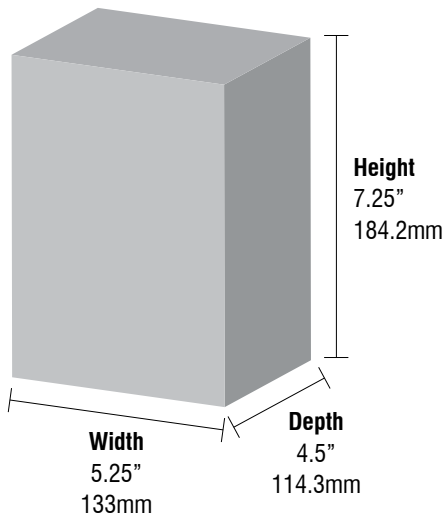
Features:

- Hard wired remote transformer.
- Includes primary and secondary self-reset circuit breakers.
- Outdoor compliant.

AC Input Voltage	120V AC, 50/60Hz, 0.5A
Output Voltage	12V AC
Output Wattage	50W Max
Short Circuit Protection	Yes
Overload Protection	Yes
Case Material	3R Beige Metal (Powder coated stainless steel)
Weight	2.3kg (5.07lb)
Approval	Complies with requirements for underwater luminaires. NEC code: 68023



Dimensions



Order Information

Type:

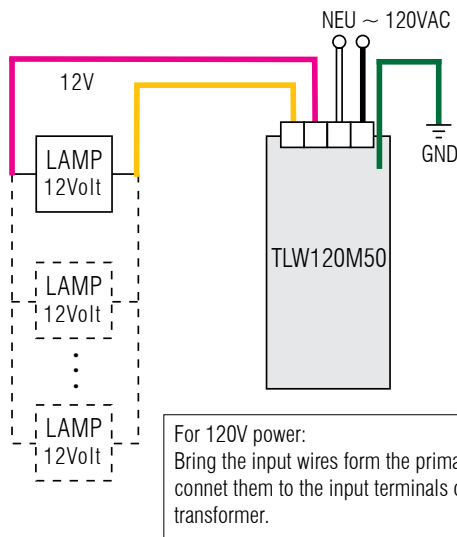
Project:

Modified:

Quantity:

Notes:

Wiring



Max. load depends on wattage of fixture.

LAMP 12Volt = 12 Volt Lamps Only

Order Code
TLW120MT050U