

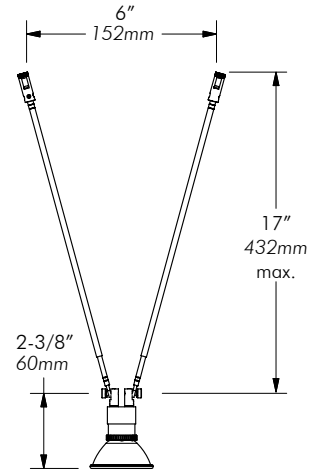


X31CS

- Material** Machined aluminum with electroplated finish
- Sec. Voltage** 12V (fixture)
- Mounting** Rotatable and easy to position. Designed for use on MP cable system (CS) (sold separately).
- Shade** Sold separately.
- Accessories** Sold separately.
- Warranty** 5 years limited warranty
Estimated useful life of LED is 50,000 hours.
- Lamp (not included)** MR16, 50W Max. Covered glass recommended. (Note: GE constant color lamp cannot be used with glass shade.) For use with LED type MR16 check lamp manufacture for specification and compatibility.
- Approval** Dry locations. Approved to US and Canadian standards by CSA.



Dimension



- Type:**
- Project:**
- Modified:**
- Quantity:**
- Notes:**

DISCLAIMER - When using a control system, consult dimming system manufacturer with minimum load before installing. Malfunction and damage to product due to improper dimming system installation or misuse will not be covered under warranty. Only DC Drivers are recommended for dimming systems. Consult MP Lighting for recommended drivers.

*MP Lighting reserves the right, at its sole discretion, at any time and without notice, to make design changes to any of our products.

Order Guide

Example: X31-CS-NS-17-NA-MC

Code	Mounting	Shade (optional)	Antenna	Accessories (optional)	Finish
X31	CS	-			MC
	CS = cable system	NS = no shade SM = solid metal cone SMB = solid metal cone, black	17 = 9-3/4" to 16-1/2" (248mm to 419mm) X = custom	NA = no accessory SH = metal shroud SHB = metal shroud, black ELB = eggcrate louver, black BE = beam elongator CS = crystal spreader IR = infrared filter MS = mistlite spreader UV = ultraviolet filter LSB = long shroud, black LH = accessory holder***	MC = matte chrome

*Can select multiple items.
Please specify.
***Accessory holder required with accessories.