

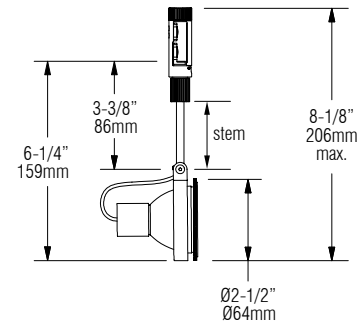


X51DC

- Material** Machined aluminum with electroplated finish
- Sec. Voltage** 12V (fixture)
- Mounting** Rotatable and easy to position. Designed for use on MP dual circuit (DC) rail system (sold separately).
- Shade** Solid metal cap included.
- Accessories** Metal shroud included. Other accessories sold separately.
- Warranty** 5 years limited warranty
Estimated useful life of LED is 50,000 hours.
- Lamp (not included)** MR16, 50W Max. Covered glass recommended. (Note: GE constant color lamp cannot be used with glass shade.) Also SORAA LED MR 16 lamps (10W max.) are recommended. For use with LED type MR16 check lamp manufacture for specification and compatibility.
- Approval** Dry locations. Approved to US and Canadian standards by CSA.



Dimension



- Type:
- Project:
- Modified:
- Quantity:
- Notes:

DISCLAIMER - When using a control system, consult dimming system manufacturer with minimum load before installing. Malfunction and damage to product due to improper dimming system installation or misuse will not be covered under warranty. Only DC Drivers are recommended for dimming systems. Consult MP Lighting for recommended drivers.

*MP Lighting reserves the right, at its sole discretion, at any time and without notice, to make design changes to any of our products.

Order Guide

Example: X51-DC-NS-2-NA-MC

Code	Mounting	Shade (optional)	Stem	Accessories (optional)	Finish
X51	DC	-		-	
	DC = dual circuit system	NS = no shade SC = solid metal cap SCB = solid metal cap, black	2 = 2" (51mm) X = custom <i>*Custom length available in 1" (25mm) increments up to 96" (2438mm)</i>	NA = no accessory SH = metal shroud SHB = metal shroud, black ELB = eggcrate louver, black BE = beam elongator CS = crystal spreader IR = infrared filter MS = mistlite spreader UV = ultraviolet filter LSB = long shroud, black	MC = matte chrome BN = brushed nickel

**Can select multiple items. Please specify.
Accessory holder required with accessories.