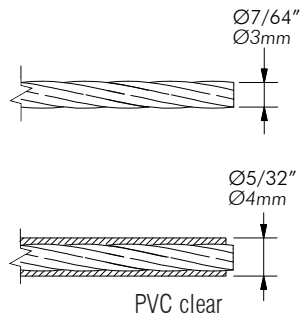


bare/insulated wire for cable system

CBL001

(Old Code: CSW10, CSW10PVC)

SPEC SHEET



Material: 10AWG tin plated copper with Kevlar core. (300W Max.)

Unit Package: Foot.

Approval: Dry locations. Approved to UL standards by CSA/US.



Code	Length (by foot)	Type
CBL001 <i>cable</i>	- <input type="text"/> X = custom	<input type="text"/> B = bare I = insulated

[Project]

[Quantity]

[Notes]