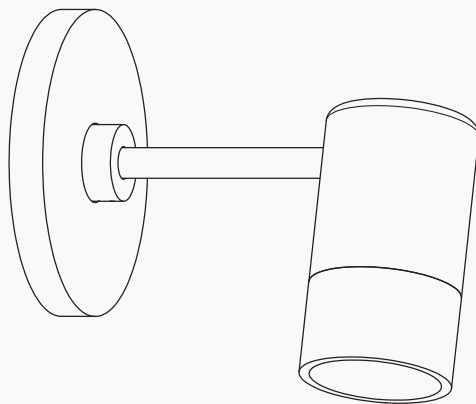


L225W-S

LED Wall Spotlight

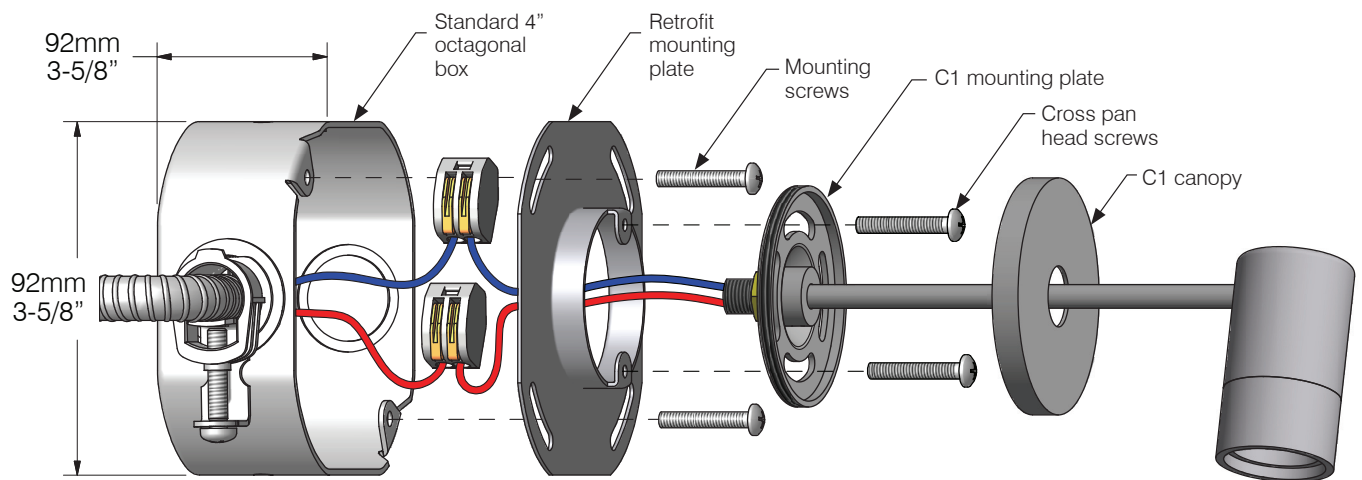


L225W-S

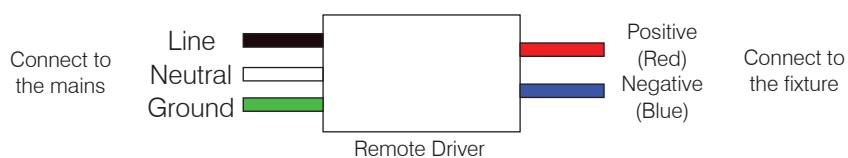
LED Wall Spotlight

Parts

LED Fixture x 1
C1 Canopy x 1
C1 Mounting plate x 1
Retrofit mounting plate x 1
Cross pan head screws x 2
Wire nuts x 2
Electrical box — Not included
Conduit connector — Not included

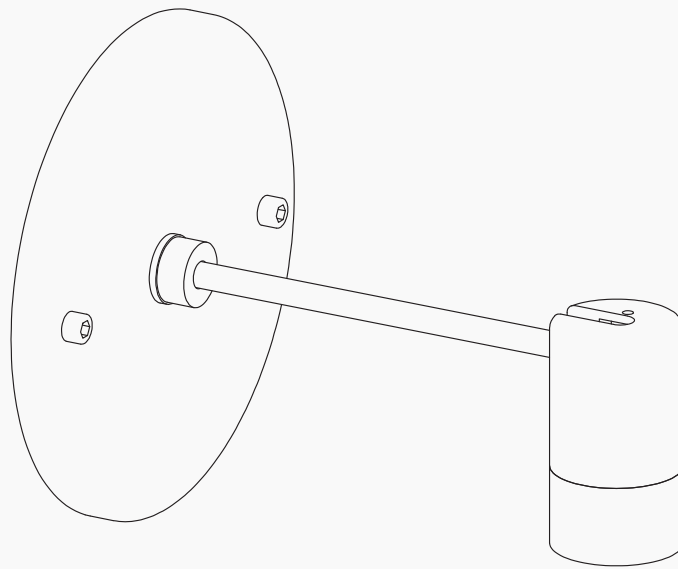


- 1) Connect fixture wires to low voltage wiring (remote LED driver).
- 2) Attach retrofit mounting plate to electrical box with two screws.
- 3) With two screws attach C1 mounting plate to retrofit mounting plate.
- 4) Thread C1 canopy to C1 mounting plate.



L225W3-S

LED Wall Spotlight

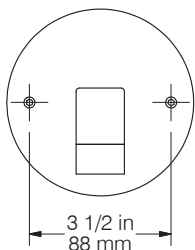
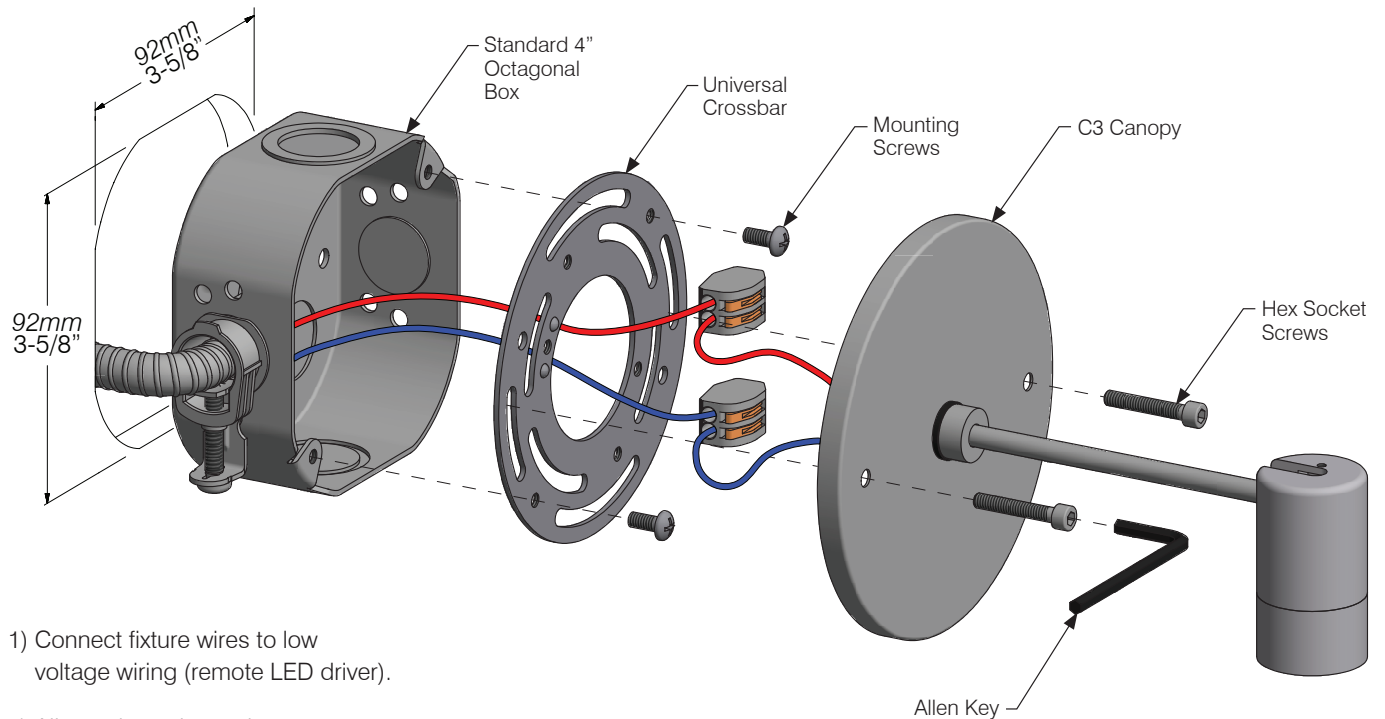


L225W3-S

LED Wall Spotlight

Parts

LED Fixture with C3 canopy x 1
Universal crossbar x 1
Hex socket head screws x 1
Mounting screws x 2
Wire nuts x 2
Allen key — x 1
Electrical box — Not included
Conduit connector — Not included
Remote driver — Sold separately



[M] MP LIGHTING®

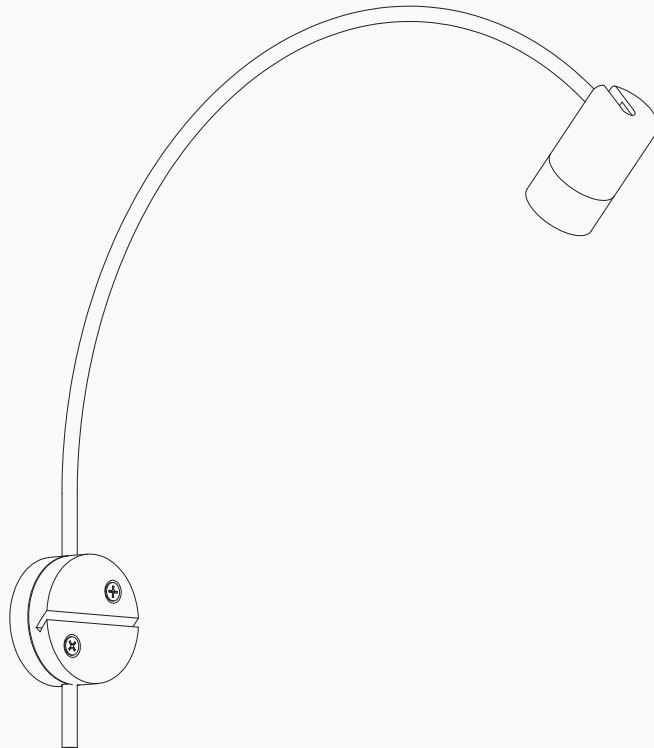
www.mplighting.com | 1.877.708.1184 | 604.708.1185

All technical information in this document is subject to change. Copyright © MP Lighting.

08-2021

L225WK-S

Interior spotlight for illuminating walls, pictures, or signage



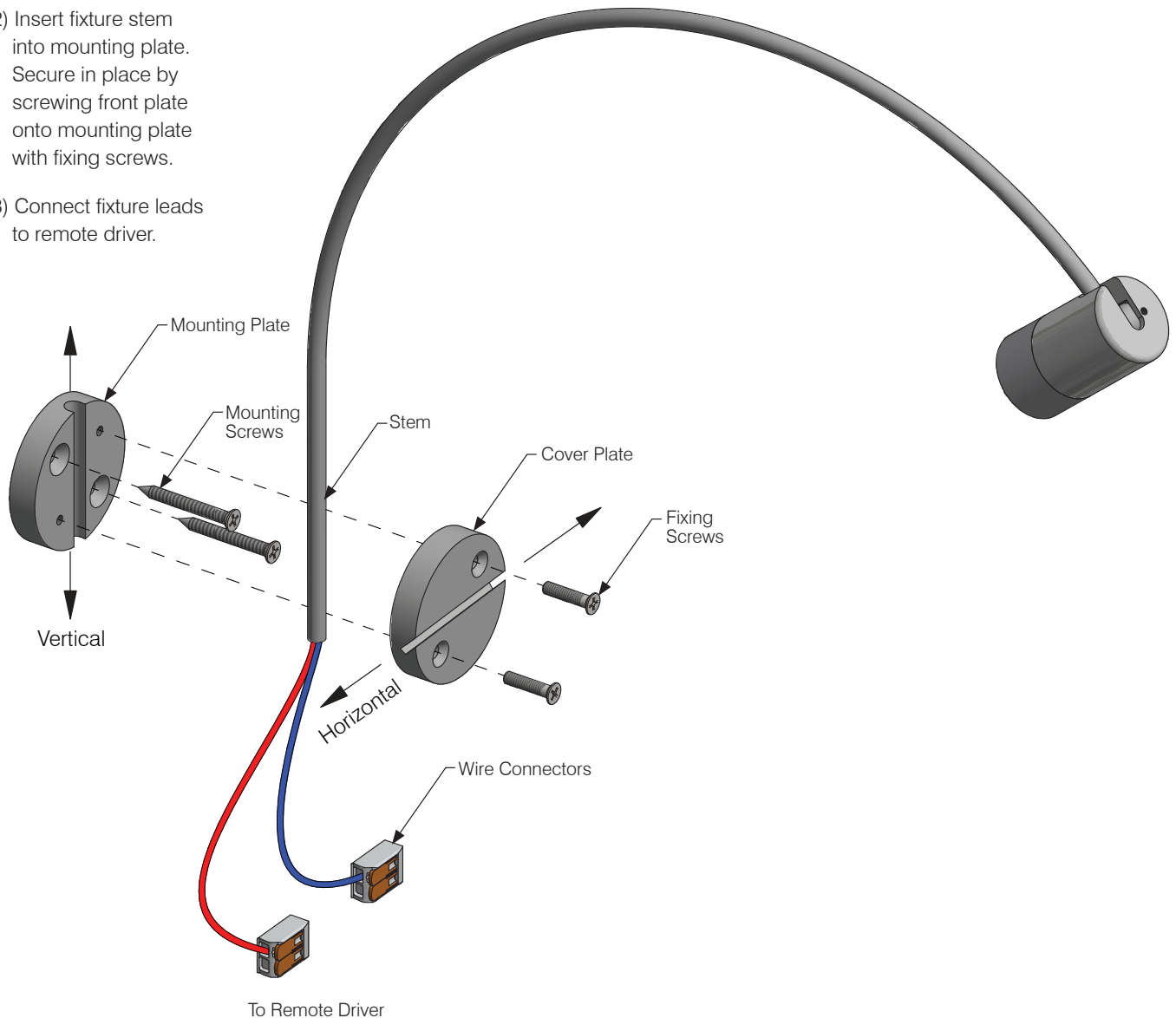
L225WK-S

Interior spotlight for illuminating walls, pictures, or sinage

Parts

LED fixture
Cover plate
Mounting plate
mounting screws x 2
Fixing screws x 2
Wire connectors x 2

- 1) Fasten mounting plate to wall with mounting screws. Ensure slot for stem is vertical.
- 2) Insert fixture stem into mounting plate. Secure in place by screwing front plate onto mounting plate with fixing screws.
- 3) Connect fixture leads to remote driver.



IMPORTANT SAFETY INSTRUCTIONS

KEEP THESE INSTALLATION INSTRUCTIONS
(Including General and Additional Markings for Fixtures)
(FOR MP LIGHTING LED LUMINAIRES, CLASS 3402-xx)

General and additional markings

1. For Use Only with Certified/NRTL Driver, Model _____
2. DRY LOCATIONS ONLY or OUTDOOR USE ONLY or DRY/
OUTDOOR USE ONLY or Outdoor / submersible Use Only - as
indicated on fixtures
3. MIN 90 C SUPPLY CONDUCTORS
4. Model L92, L900: SUITABLE FOR MOUNTING WITHIN 1.2 M
(4FT) OF THE GROUND
5. Models L01, L03, L05, L06, L07, L08, L300, L302, L304, L306,
L310, L312, L320, L324, L326, L352, L358, L360, L366, L368,
L370, L372, L379: SUITABLE FOR USE IN POURED CONCRETE,
USE ON CLASS 2 CIRCUIT ONLY
6. Models with Class 2 LED Drivers which are intended for
installation for other than Indoor Use Only: CAUTION:
CONNECTED ONLY TO A CIRCUIT PROTECTED BY A CLASS A
GROUND FAULT CIRCUIT INTERRUPTER
7. Models L51, L52, L57, L58, L64, L65, L66, L67, L101, and L102:
SUITABLE FOR UNDER-CABINET MOUNT
8. Model L141, L401NI, L402NI, L403NI, and L405NI: SUITABLE
FOR DAMP LOCATIONS, DO NOT INSTALL INSULATION
WITHIN 76 mm (3 in) OF ANY PART OF THE LUMINAIRE
9. Model L92, L900, L930 (if with remote power supplies): USE ON
CLASS 2 CIRCUIT ONLY
10. Model L122, L123 (if used for recessed applications):
VAPOUR BARRIER MUST BE SUITABLE FOR 90 °C, TYPE IC,
INHERENTLY PROTECTED

Installation instructions

1. The grounding installation shall be done in accordance with
CEC-Part 1.
2. WARNING: RISK OF FIRE OR ELECTRIC SHOCK: DO NOT
MAKE OR ALTER ANY OPENINGS IN THE COMPARTMENT
OF WIRING OR ELECTRICAL COMPONENTS DURING
INSTALLATION. DO NOT ALTER OR ADD BALLASTS, OR ANY
OTHER ELECTRICAL COMPONENTS.
3. INSTALLATION AND USE OF THIS FIXTURE MOUNTING
ASSEMBLY REQUIRES A PERSON FAMILIAR WITH THE
CONSTRUCTION AND OPERATION OF LUMINAIRE
ELECTRICAL SYSTEMS AND THE HAZARD INVOLVED, IF NOT
QUALIFIED, DO NOT ATTEMPT INSTALLATION. CONTACT A
QUALIFIED ELECTRICIAN.
4. TURN OFF POWER BEFORE INSTALLATION.
5. KEEP THESE INSTALLATION INSTRUCTIONS.

CONSIGNES DE SÉCURITÉ IMPORTANTES

CONSERVER CES INSTRUCTIONS D'INSTALLATION
(Dont le général et marques supplémentaires pour les appareils)
(Pour les luminaires LED MP D'ÉCLAIRAGE , CLASS 3402 -xx)

Général et marquages supplémentaires

1. A utiliser uniquement avec Certified / NRTL pilote, modèle _____
2. POUR EMPLACEMENTS SECS SEULEMENT ou UTILISATION
EXTÉRIEURE SEULEMENT ou SEC / UTILISATION EXTÉRIEURE
SEULEMENT ou extérieure / Utilisation submersible seulement -
comme indiqué sur les appareils
3. LES FILS D'ALIMENTATION 90 °C MIN
4. Modèle L92/L900: PEUT ÊTRE INSTALLÉ À MOINS DE 1,2 m (4
pi) DU SOL
5. Modèle L01, L03, L05, L06, L07, L08, L300, L302, L304, L306,
L310, L312, L320, L324, L326, L352, L358, L360, L366, L368,
L370, L372, L379et: PEUT ÊTRE UTILISÉ DANS LE BÉTON
COULÉ, UTILISATION DE CLASSE 2 CIRCUIT UNIQUEMENT
6. ATTENTION: CONNECTED UNIQUEMENT À UN CIRCUIT
PROTÉGÉ PAR UN DISJONCTEUR DIFFÉRENTIEL DE CLASS A
7. Modèle L51, L52, L57, L58, L64, L65, L66, L67, L101, L102 et:
PEUT ÊTRE FIXÉ SOUS UNE ARMOIRE
8. Modèle L141 L401NI, L402NI, L403NI, L405NI: CONVIENT AUX
EMPLACEMENTS HUMIDES, NE PAS METTRE L'ISOLANT À
MOINS DE 76 mm (3 po) DE TOUTE PARTIE DU LUMINAIRE
9. Modèle L92, L900, L930 (avec alimentations à distance):
UTILISATION DE CLASSE 2 CIRCUIT UNIQUEMENT
10. Modèle L122, L123 (pour applications encastrées):LE
PARE-VAPEUR DOIT CONVENIR POUR 90 °C, TYPE IC;
PROTECTION INHÉRENTE

Les instructions d'installation

1. L'installation de mise à la terre doit être fait en conformité avec
CEC Partie 1.
2. AVERTISSEMENT : RISQUE D'INCENDIE OU
D'ÉLECTROCUTION : NE PAS FAIRE OU MODIFIER DES
OUVERTURES DANS LE COMPARTIMENT DE CÂBLAGE OU
DE COMPOSANTS ÉLECTRIQUES LORS DE L'INSTALLATION.
NE PAS MODIFIER OU AJOUTER DES BALLASTS, OU AUTRES
COMPOSANTS ÉLECTRIQUES
3. CE PRODUIT DOIT ÊTRE INSTALLÉ SELON LE CODE
D'INSTALLATION PERTINENT, PAR UNE PERSONNE QUI
CONNAÎT BIEN LE PRODUIT ET SON FONCTIONNEMENT
AINSI QUE LES RISQUES INHÉRENTS. CONSULTER UN
ÉLECTRICIEN QUALIFIÉ.
4. COUPER LE COURANT AVANT L'INSTALLATION.
5. CONSERVEZ CES INSTRUCTIONS.