

BKT104

INTERIOR

One Circuit Track Hardware - Long Joiner Bracket

- Dry location



Ordering Information

Clear Form

Date : _____

Quantity : _____

Project : _____

Note : _____

Type : _____

Specifications

Long Joiner Bracket | Example Code: BKT104

Product ¹

BKT104

Important Notes

Specification

1. Refer to Appendix or MP Lighting website for track system with different finish options. BKT104 comes in bare finish.

Application

Environment	Dry Location approved. IP 20.
Mounting	Surface mounting or suspension mounting.
Compatible Fixtures	12V: L225M (4W & 8W) 48V: L225S (1W & 2W), L225M (4W & 8W), L225L (13W), L199 (4W & 8W), L698 (4W & 8W), and P96S-LED (8W).

Electrical

Electrical	Low Voltage 1 Circuit Track: 60W/12V 96W/48V Compatible Drivers 12V: 0-10V, ELV dimmable. 48V: 0-10V, DALI dimmable
------------	---

Construction

Weight	N/A
Material	Aluminum.

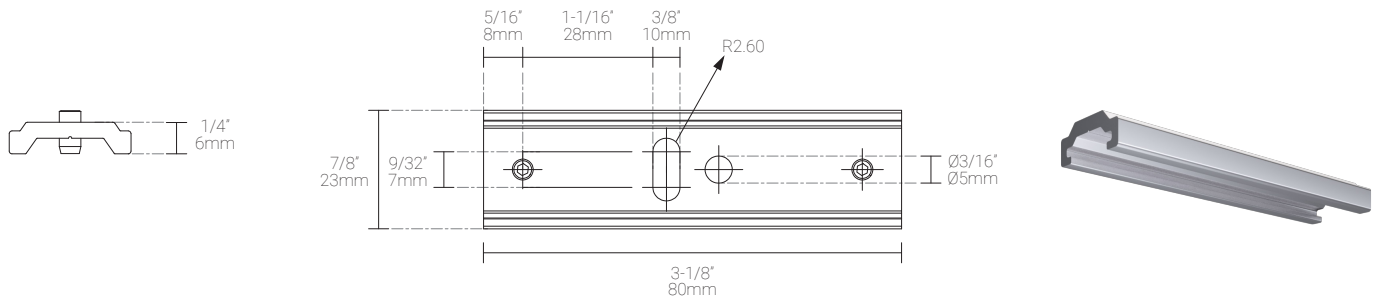
Mounting Options & Dimensions

Dimensions

Long Joiner Bracket

Top View

3D View



1CT Track | All 1CT fixtures comes with Track Adapter

