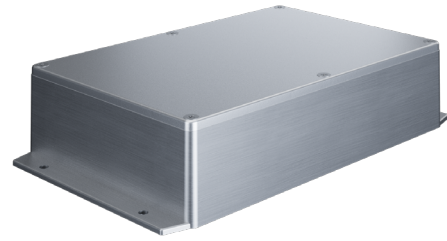


# EBX-M223-AL

## BACK BOX

Aluminum enclosure box for driver

- Wet, Damp, and Dry location



### Ordering Information

Clear Form

Date :	_____	Quantity :	_____
Project :	_____	Note :	_____
Type :	_____		_____

### Specifications

Enclosure Box | Example Code: EBX-M223-AL-NA-NA

Product <sup>1</sup>	Vent Plug	Cable Glands
EBX-M223-AL	_____	_____
	VP-M20-GY vent plug NA no accessories	CG-M12-GY cable glands NA no accessories

### Important Notes

#### Specification

- This box may not be compatible with building codes that require separate wiring compartments for high voltage (primary wiring) and low voltage (secondary wiring) connections.

#### Warranty Notes & Disclaimer

MP Lighting reserves the right, at its sole discretion, at any time and without notice, to make improvements and innovations to any of our products. Consult MP Lighting website for further details.

### Application

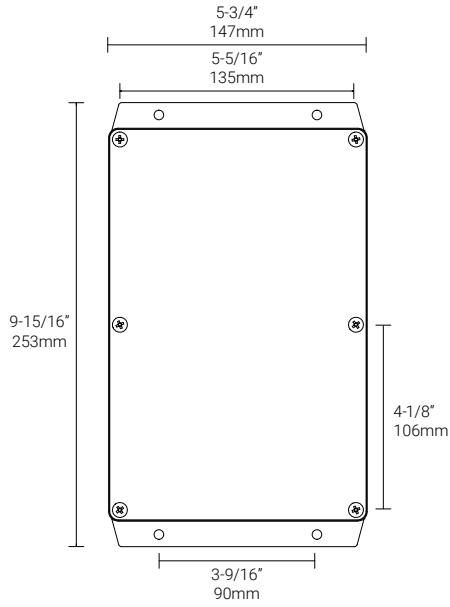
Environments	Wet, Dry, and Dry Location approved. IP 67. Not to be used underwater.
Weight	898g (1.98lbs).
Case Material	Aluminum.
Supplied With	Cable glands (2), aluminum plate, (4) screws for plate, (4) stainless steel screws for mounting and (4) plastic screws for box closure.

### Ordered Separately

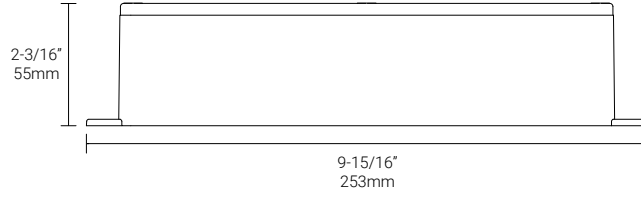
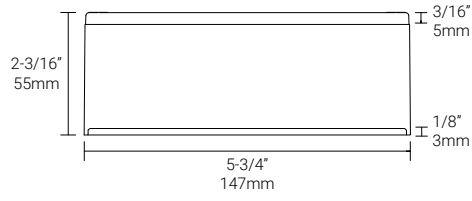
Extra Components	Driver.
------------------	---------

Dimensions

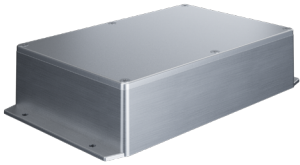
Back Box



Back Box | Side View



Appendix



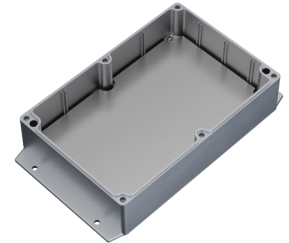
EBX-M223-AL enclosure box



VP-M20-GY vent plug



CG-M12-GY cable glands



EBX-M223-AL open enclosure box shown with aluminum plate