

EBX-M94-GY

BACK BOX

Polycarbonate enclosure box for driver

- Wet, Damp, and Dry location



Ordering Information

Clear Form

Date :	_____	Quantity :	_____
Project :	_____	Note :	_____
Type :	_____		_____

Specifications

Enclosure Box | Example Code: EBX-M94-GY-NA-NA

Product ¹	Vent Plug ²	Cable Glands
EBX-M94-GY		
	VP-M20-GY vent plug NA no accessories	CG-M12-GY cable glands NA no accessories

Important Notes

Specification

- This box may not be compatible with building codes that require separate wiring compartments for high voltage (primary wiring) and low voltage (secondary wiring) connections.
- For underwater use, do not use the Vent Plug VP-M20-GY.

Warranty Notes & Disclaimer

MP Lighting reserves the right, at its sole discretion, at any time and without notice, to make improvements and innovations to any of our products. Consult MP Lighting website for further details.

Application

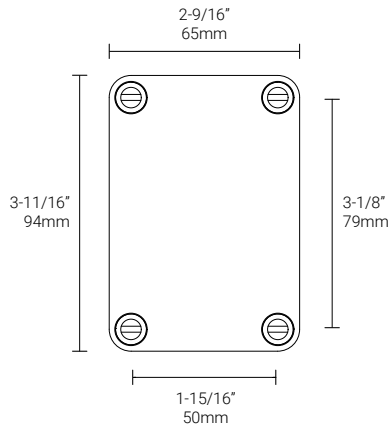
Environments	Wet, Dry, and Dry Location approved. IP 66.
Weight	127g (0.28lbs).
Case Material	Fiberglass-reinforced Polycarbonate.
Supplied With	Cable gland (1), aluminum plate, (4) screws for plate, (4) stainless steel screws for mounting and (4) plastic screws for box closure.

Ordered Separately

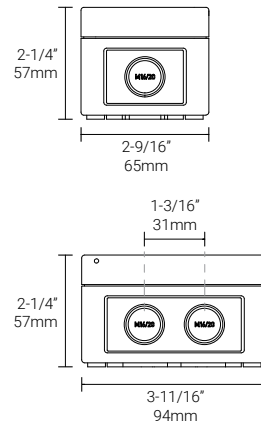
Extra Components	Driver.
------------------	---------

Dimensions

Back Box



Back Box | Side View



3D View



Appendix



EBX-M94-GY enclosure box



VP-M20-GY vent plug



CG-M12-GY cable gland



EBX-M94-GY enclosure box shown with cable gland and vent plug