

EULED10W350iZ-01

CONSTANT CURRENT

10W, 350mA, 0-10V dimmable, 100-240V AC Input

● Dry location



Ordering Information

Clear Form

Date :	_____	Quantity :	_____
Project :	_____	Note :	_____
Type :	_____		_____

Specifications

LED Driver | Example Code: EULED10W350iZ-01-B

Product	Enclosure
EULED10W350iZ-01	B
	B driver enclosure

Important Notes

Warranty Notes & Disclaimer

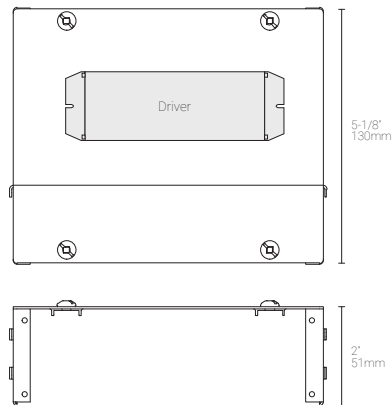
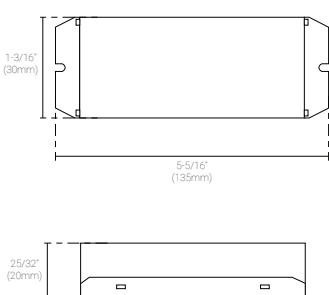
MP Lighting reserves the right, at its sole discretion, at any time and without notice, to make improvements and innovations to any of our products. Consult MP Lighting website for further details.

1. Do not install on-off switch at the output (load) side of a constant current LED driver as it will damage the fixture(s) and will void the warranty on both driver and fixture(s).
2. Fixtures must be wired as per MP Lighting's instruction (series wiring for constant current driver and parallel wiring for constant voltage drivers.) Failures due to improper installation will void warranty.

Dimensions

Driver

Driver with Enclosure (EBX-160-ZP)



EULED10W350iZ-01

CONSTANT CURRENT

10W, 350mA, 0-10V dimmable, 100-240V AC Input

- Dry location



Performance

Input	Output	Efficiency
Voltage: 100~240V AC, 50/60 Hz	Voltage: 10~24V DC	Power Factor: -
	Current: 350mA Constant	Typical Efficiency: -
	Wattage: 10W maximum	

Controls

Dimming Protocols	0-10V dimmable. Can be used in both dimming & non-dimming systems.
Dimming Range	10%~100%

Recommended Load

Driver Load Typically used for 2W LED fixtures with the load below:

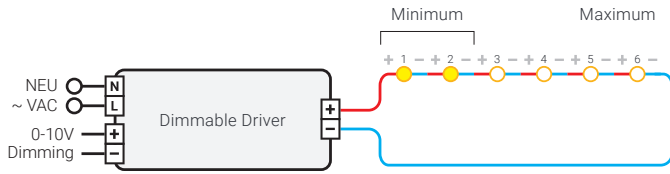
Systems		Load	
Input Voltage	System Dimming Option	Minimum	Maximum
120V only	Dimming	2	6
	Non- Dimming	4	6
> 120V~277V	Dimming	2	6
	Non- Dimming	4	6

Application

Environments	Dry Location approved.
Ambient Temperature	-30°C (-22°F) minimum
Case Temperature	80°C (176°F) maximum
Driver Protection	Short Circuit, Overload & Over-voltage protection
Weight	66g (0.145lb)
Case Material	Full protective plastic.

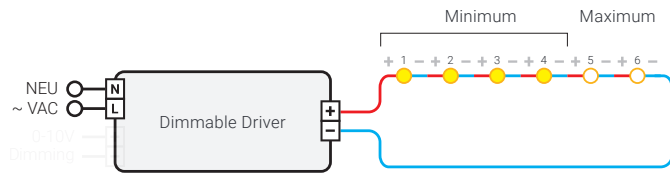
Wiring Diagram

Dimming | For use with 2-6 x 1W LED lighting fixtures (350mA), wired in series



● 350mA LED Lighting Fixture

Non-Dimming | For use with 4-6 x 1W LED lighting fixtures (350mA), wired in series



● 350mA LED Lighting Fixture