

EULED20W250700iP-01

CONSTANT CURRENT

20W, 250-700mA, PWM dimmable, 200~240V AC Input

○ Damp and Dry location



Ordering Information

Clear Form

Date : _____

Project : _____

Type : _____

Quantity : _____

Note : _____

Specifications

LED Driver | Example Code: EULED20W250700iP-01-B

Product	Enclosure
EULED20W250700iP-01	B
	B driver enclosure

Important Notes

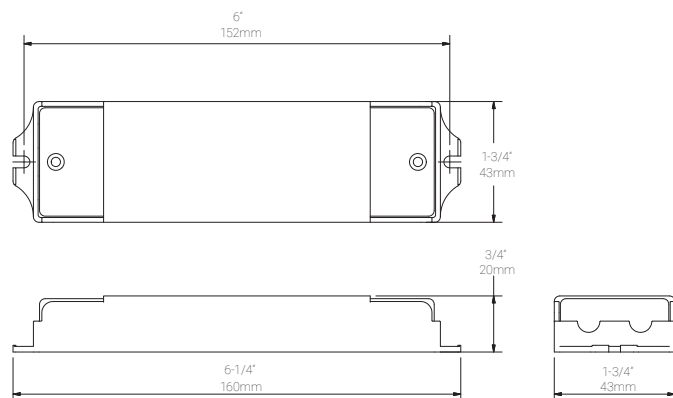
Warranty Notes & Disclaimer

MP Lighting reserves the right, at its sole discretion, at any time and without notice, to make improvements and innovations to any of our products. Consult MP Lighting website for further details.

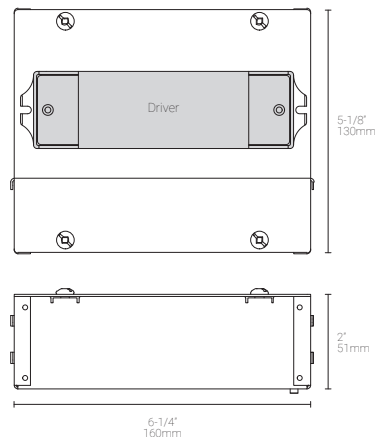
1. Do not install on-off switch at the output (load) side of a constant current LED driver as it will damage the fixture(s) and will void the warranty on both driver and fixture(s).
2. Fixtures must be wired as per MP Lighting's instruction (series wiring for constant current driver and parallel wiring for constant voltage drivers.) Failures due to improper installation will void warranty.

Dimensions

Driver



Driver with Enclosure (EBX-160-ZP)

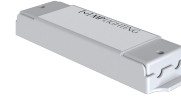


EULED20W250700iP-01

CONSTANT CURRENT

20W, 250-700mA, PWM dimmable, 200~240V AC Input

○ Damp and Dry location



Performance

Input	Output	Efficiency
Voltage: 200~240V AC, 50/60 Hz	Voltage: 3~42V	Power Factor: 0.9 minimum.
	Current: 250-700mA constant	Typical Efficiency: 80%
	Wattage: 20W maximum	

Controls

Dimming Protocols	PWM dimmable. Can be used in both dimming & non-dimming systems. The driver has been tested with 2 Wall Dimmer Switches: ABB and Ltech dimmers (only for 220V AC).
Dimming Range	1%~100%

Recommended Load

Driver Load	Depends on fixtures used with driver.
-------------	---------------------------------------

Application

Environments	Damp and Dry Location approved.
Ambient Temperature	-20°C (-4°F) minimum.
Case Temperature	80°C (179°F) maximum.
Driver Protection	Short Circuit, Overload & Over-voltage protection.
Weight	200 g (0.44lb).
Case Material	Plastic.